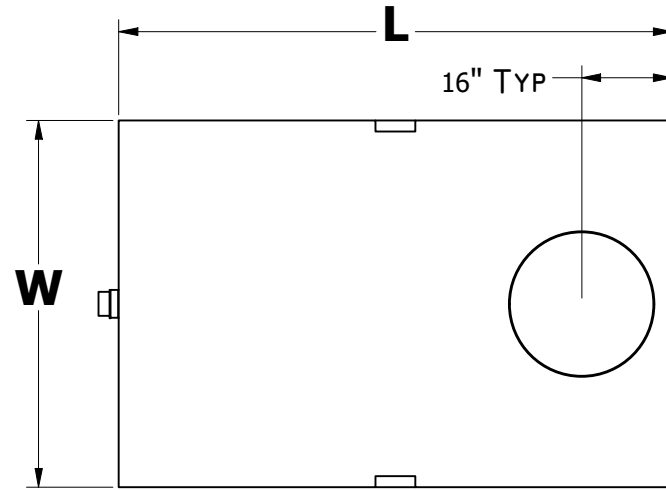
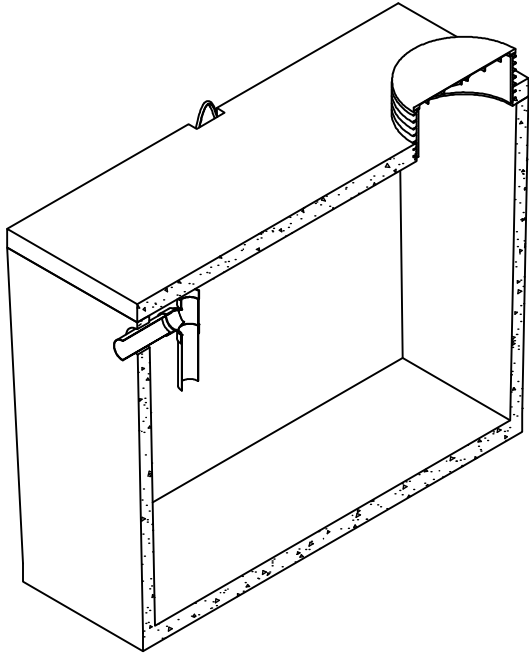


SINGLE COMP. HOLDING/PUMP TANKS (500 - 3000 gal.)

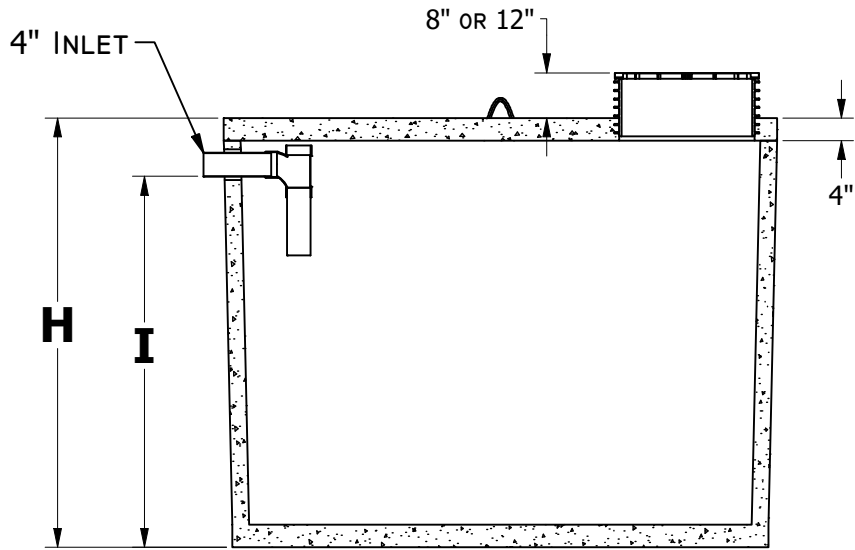


TOP VIEW

GENERAL NOTES:

- ALL DIMENSIONS IN INCHES
- CONCRETE 28 DAY COMPRESSIVE STRENGTH FC: 7000psi
- REBAR #4 ASTM A-615 GRADE 60
- DL: 36in EARTH COVER
- LL: 25 SNOW
- SOILS: 2000psi
- WATER PRESSURE: 62.4psf
- FLEXIBLE PIPE ADAPTER PRESS SEAL 4in CAST-A-STEEL
- JOINT MATERIAL MEETS FEDERAL SPECS. SS-S-002I
- RISERS AS REQUIRED

| | L | W | H | I | Weight (lb) | Gal./in |
|-----------|-----|----|----|----|-------------|---------|
| 500 Gal. | 64 | 54 | 65 | 52 | 8550 | 11.16 |
| 750 Gal. | 73 | 64 | 65 | 52 | 7550 | 15.82 |
| 1000 Gal. | 99 | 64 | 65 | 51 | 11000 | 22.07 |
| 1250 Gal. | 99 | 64 | 76 | 62 | 11550 | 22.14 |
| 1500 Gal. | 114 | 72 | 76 | 62 | 14850 | 28 |
| 1750 Gal. | 114 | 72 | 82 | 67 | 15200 | 27.32 |
| 3000 Gal. | 151 | 86 | 88 | 73 | 25550 | 45.18 |



FRONT SECTIONAL VIEW