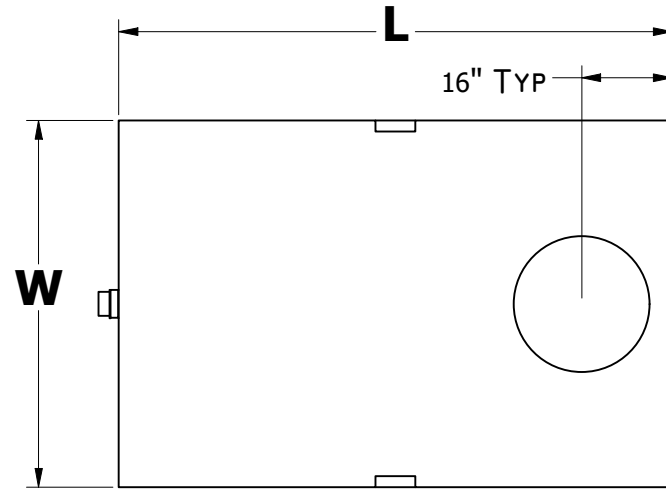
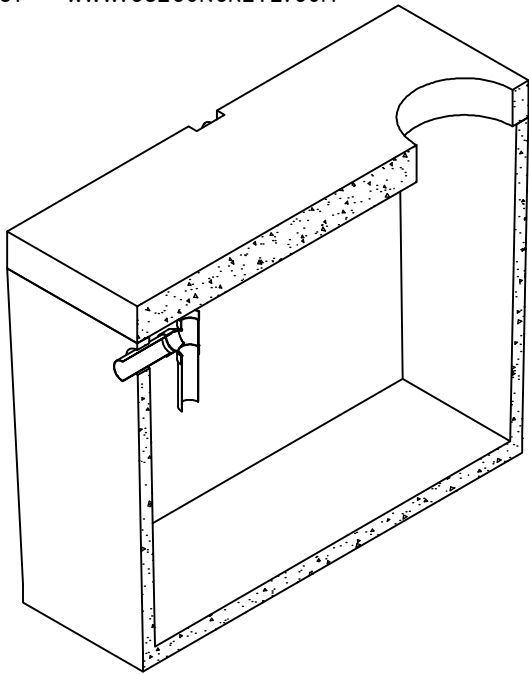


# SINGLE COMP. HOLDING/PUMP TANKS (500 - 3000 gal.) (H-20)

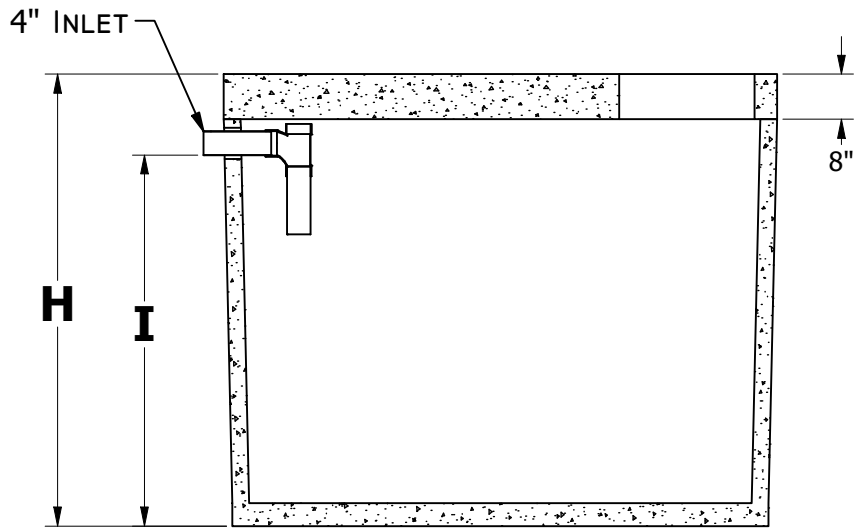


TOP VIEW

**GENERAL NOTES:**

- ALL DIMENSIONS IN INCHES
- CONCRETE 28 DAY COMPRESSIVE STRENGTH FC: 7000psi
- REBAR #4 ASTM A-615 GRADE 60
- DL: 36in EARTH COVER
- LL: 25 SNOW
- SOILS: 2000psi
- WATER PRESSURE: 62.4psf
- FLEXIBLE PIPE ADAPTER PRESS SEAL 4in CAST-A-STEEL
- JOINT MATERIAL MEETS FEDERAL SPECS. SS-S-002I
- RISERS AS REQUIRED

	L	W	H	I	Weight (lb)	Gal./in
500 Gal.	64	54	65	52	8550	11.16
750 Gal.	73	64	65	52	7550	15.82
1000 Gal.	99	64	65	51	11000	22.07
1250 Gal.	99	64	76	62	11550	22.14
1500 Gal.	114	72	76	62	14850	28
1750 Gal.	114	72	82	67	15200	27.32
3000 Gal.	151	86	88	73	25550	45.18



FRONT SECTIONAL VIEW