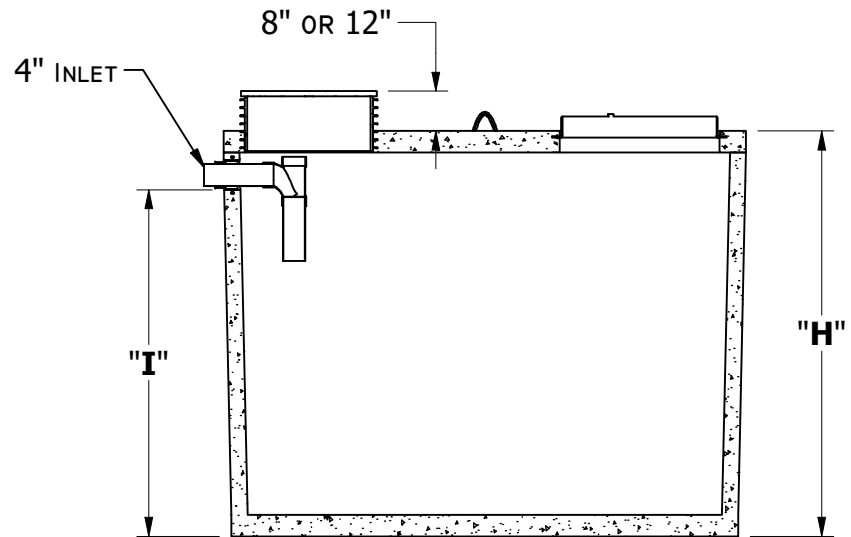


	L	W	H	I	O	Weight	Gal./in
500 Gal.	64	54	65	54	51	5200	11.16
750 Gal.	73	64	65	54	51	6600	15.82
1000 Gal.	99	64	65	54	51	8800	22.07
1250 Gal.	98	65	76	65	62	9400	22.14
1500 Gal.	114	72	76	65	62	12000	28
1750 Gal.	114	72	82	70	67	12400	27.32
3000 Gal.	151	86	87	76	73	21100	45.18

GENERAL NOTES:

- ALL DIMENSIONS IN INCHES
- IF H₂O TRAFFIC LID IS INSTALLED HEIGHT (H) IS RAISED 4 IN
- CONCRETE 28 DAY COMPRESSIVE STRENGTH FC: 4000PSI
- REBAR #4 ASTM A-615 GRADE 60
- DL: 36 IN EARTH COVER
- LL: 25 SNOW
- SOILS: 2000PSI
- WATER PRESSURE: 62.4PSF
- FLEXIBLE PIPE ADAPTER PRESS SEAL 4 IN CAST-A-STEEL
- JOINT MATERIAL MEETS FEDERAL SPECS. SS-S-002I
- RISERS AS REQUIRED



FRONT SECTIONAL VIEW