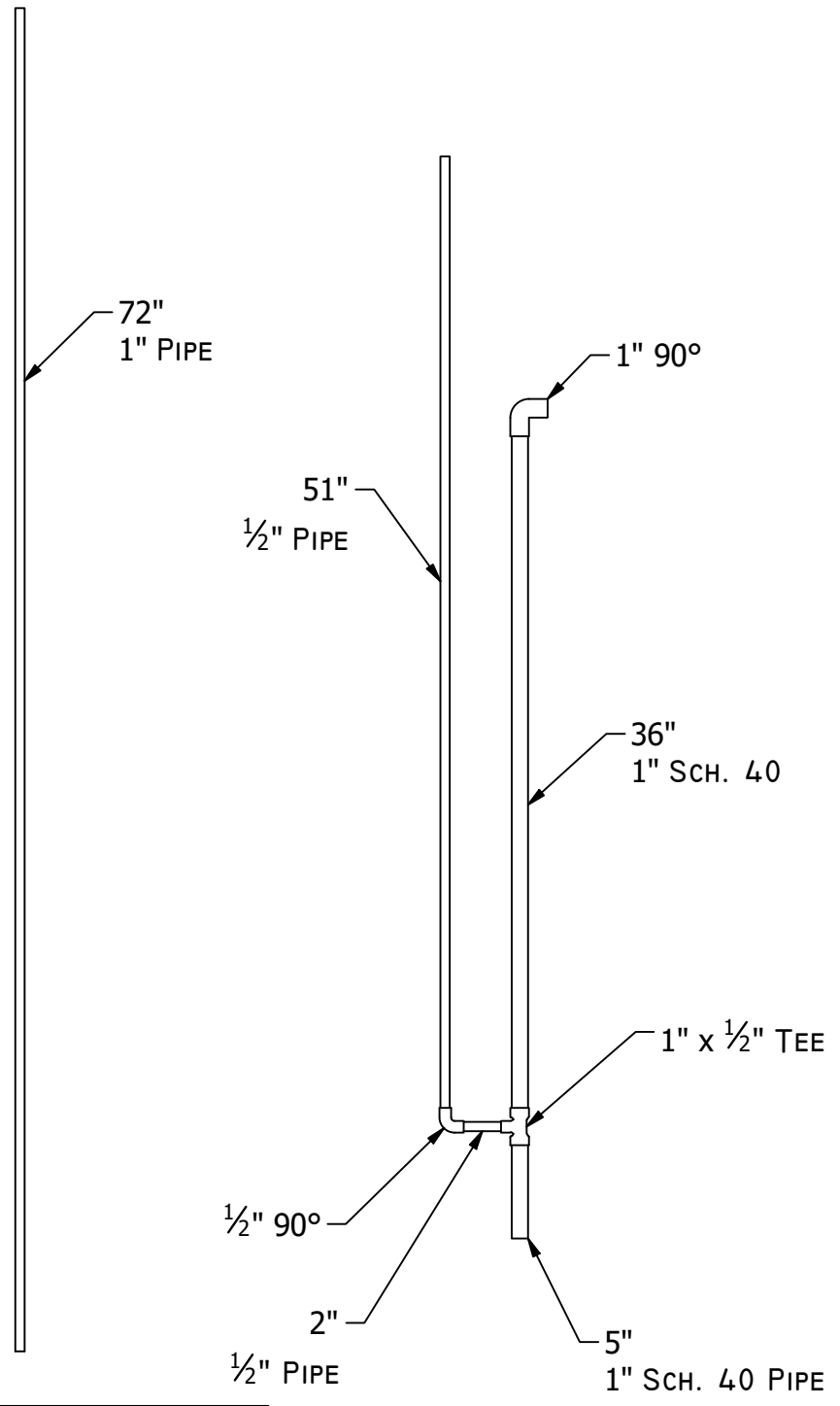


19604 67TH AVE NE ARLINGTON, WA 98223
 (360) 435-5531 WWW.CUZCONCRETE.COM



Parts List

No.	Quantity	Type	Length
1	1	1" Pipe	72"
2	1	1" Pipe	36"
3	1	1" Pipe	5"
4	1	1/2" Pipe	51"
5	1	1/2" Pipe	2"
6	1	1/2" 90° Elbow	
7	1	1/2" x 1" Tee	
8	1	1" 90° Elbow	