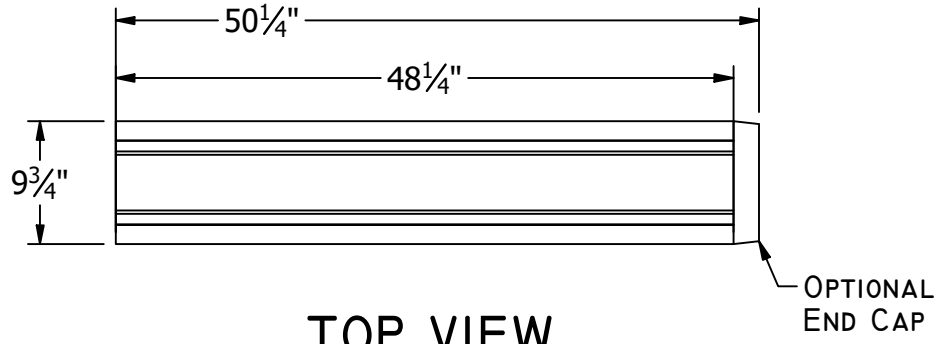
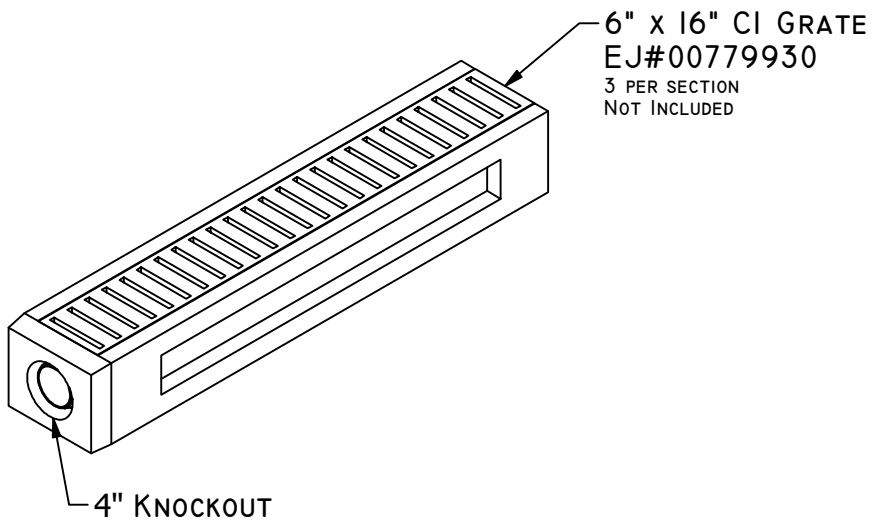
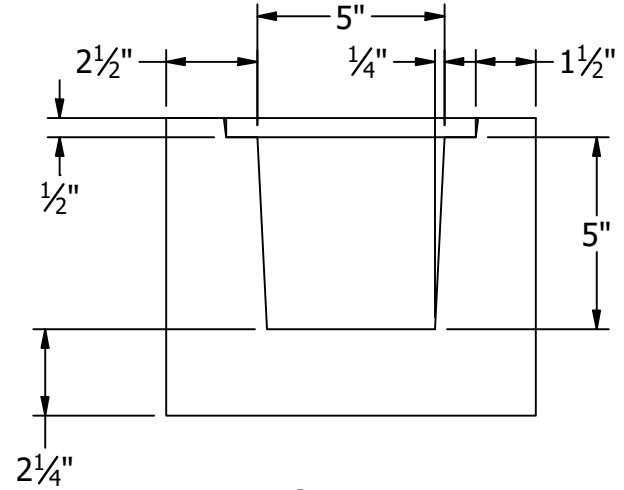


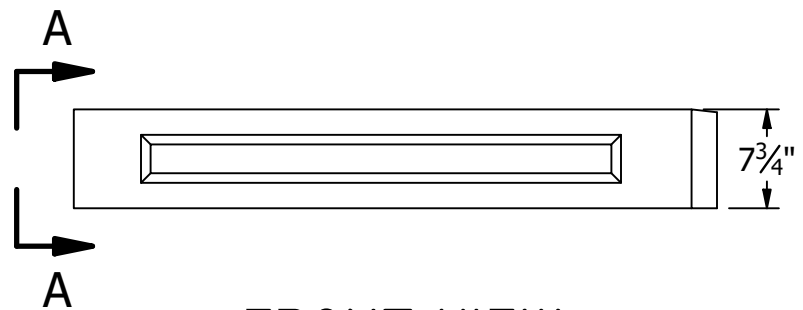
19604 67TH AVE NE ARLINGTON, WA 98223
 (360) 435-5531 WWW.CUZCONCRETE.COM



TOP VIEW



LEFT SIDE VIEW
 DETAIL A-A



FRONT VIEW

- GENERAL NOTES:**
- CONCRETE: 28 DAY COMPRESSIVE STRENGTH $f_c = 4500\text{psi}$
 - TRENCH DRAIN with CAP: 200 lb
 - TRENCH DRAIN without CAP: 175 lb
 - MESH: ASTM A-185 GRADE 88
 - DL: 36" EARTH COVER
 - LL: 25 SNOW
 - SOILS: 2000psi
 - WATER PRESSURE: 62.4psf