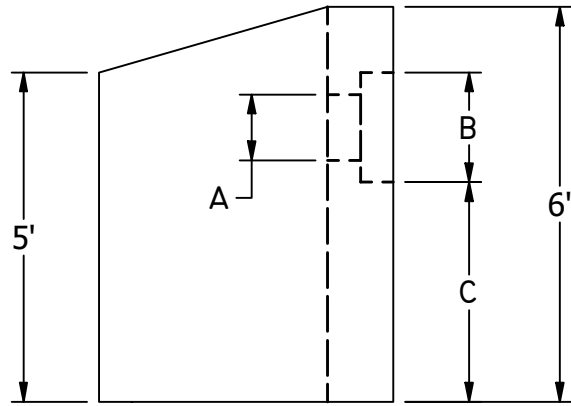
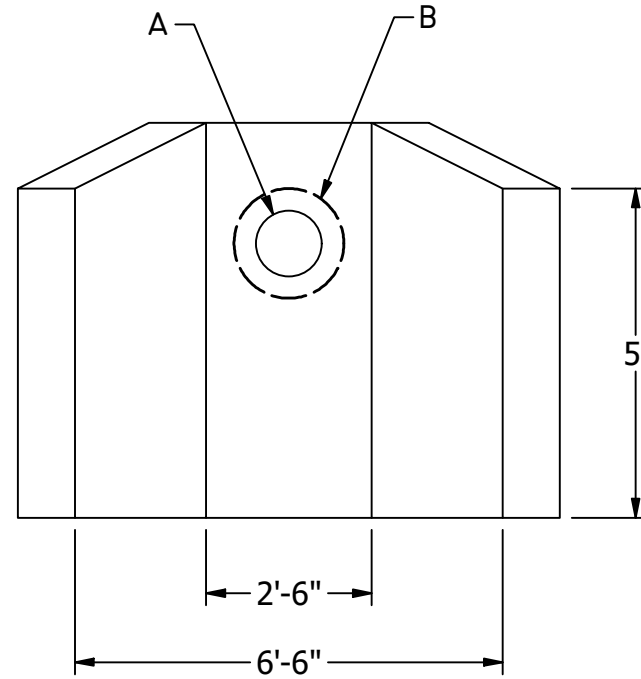


19604 67TH AVE NE ARLINGTON, WA 98223
 (360) 435-5531 WWW.CUZCONCRETE.COM

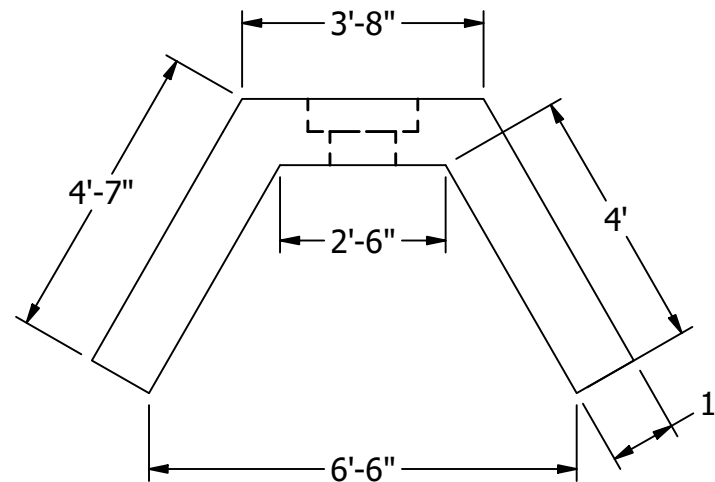


SIDE VIEW

	A	B	C	Weight (lb)
12" RCP	12"	20"	40"	9700
15" RCP	15"	24"	36"	9600
18" RCP	18"	27"	33"	9500
24" RCP	24"	32"	28"	9300



FRONT VIEW



TOP VIEW

GENERAL NOTES:

- CONCRETE: 28 DAY COMPRESSIVE STRENGTH $f_c = 4500\text{psi}$
- DL: 36 EARTH COVER
- LL: 25 SNOW
- SOILS: 2000psi
- WATER PRESSURE: 62.4psf
- DESIGN: ASTM C-857 MINIMUM STRUCTURAL DESIGN LOADING FOR UNDERGROUND PRECAST CONCRETE UTILITY STRUCTURES
- LOADS: H-20 TRUCK WHEEL WITH 30% IMPACT PER AASHTO
- REINFORCEMENT: ASTM A-615 GRADE 60 REBAR; #4 12 O.C. HORIZONTAL & VERTICAL; #6 TRIM BARS AROUND OPENING