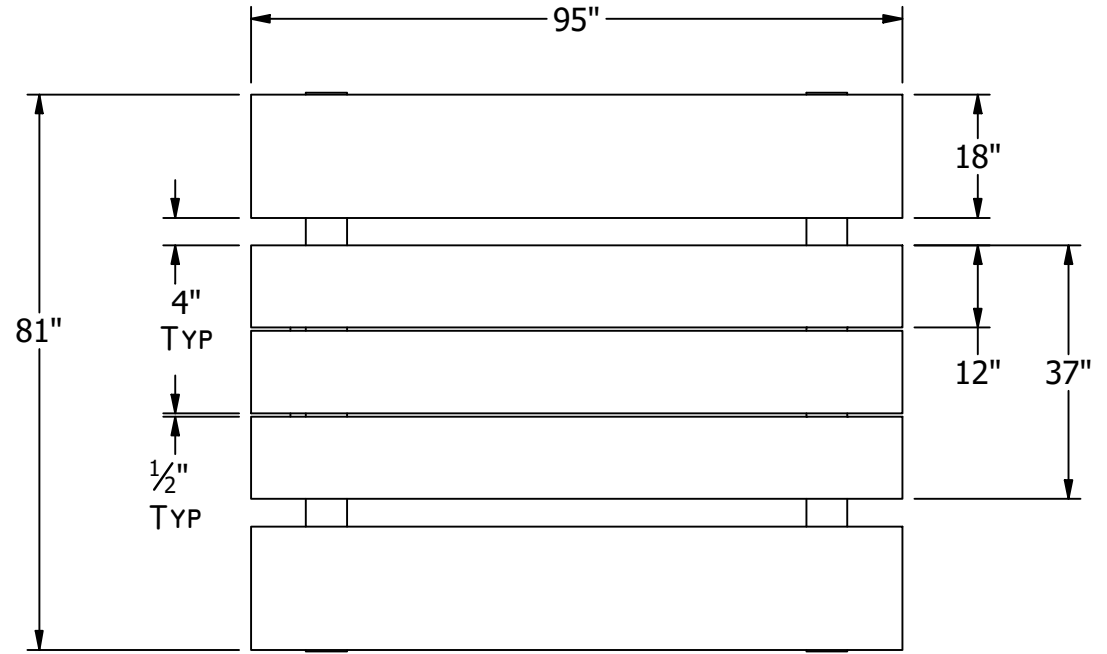
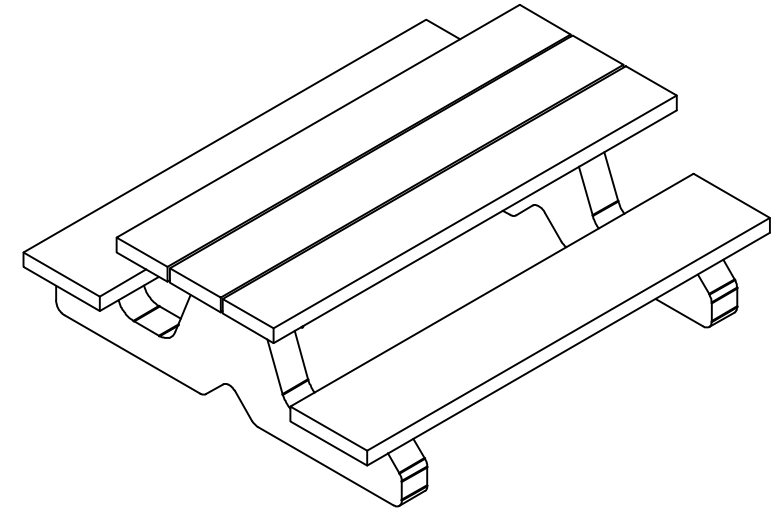


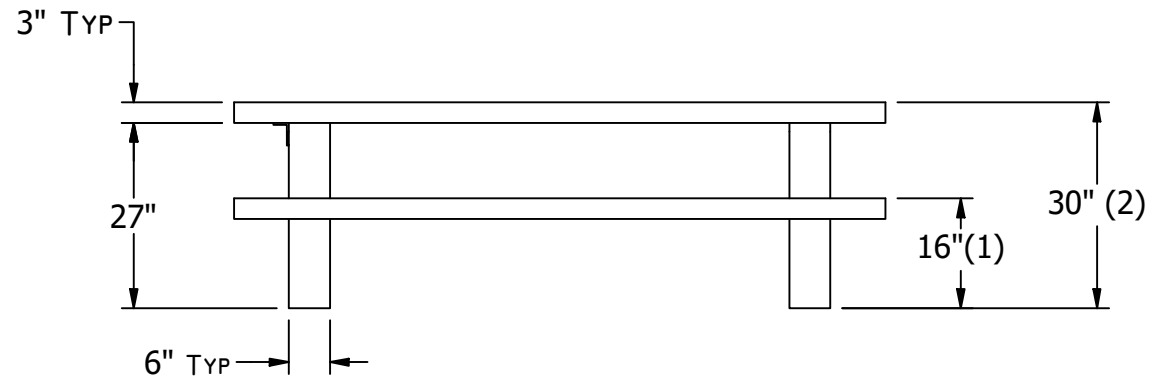
19604 67TH AVE NE ARLINGTON, WA 98223
 (360) 435-5531 WWW.CUZCONCRETE.COM



TOP VIEW

GENERAL NOTES

- ADA HEIGHT 1 AND 2, INCREASE TO 18" AND 32" RESPECTFULLY
- MIN. 28 DAY COMPRESSION STRENGTH: 5000 PSI
- TOTAL WEIGHT APPROX.: 2,910 LBS (ADA 3,025 LB)



FRONT VIEW