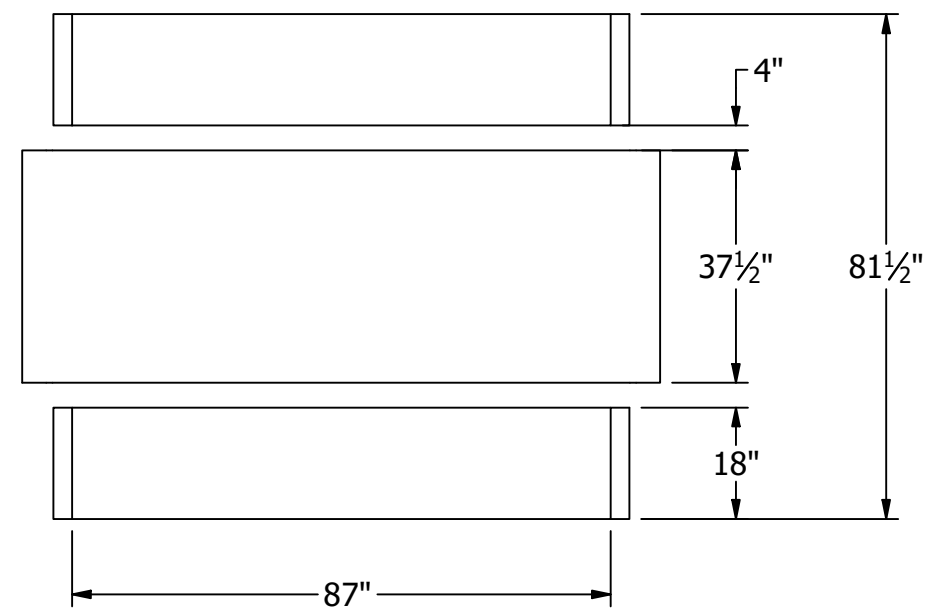
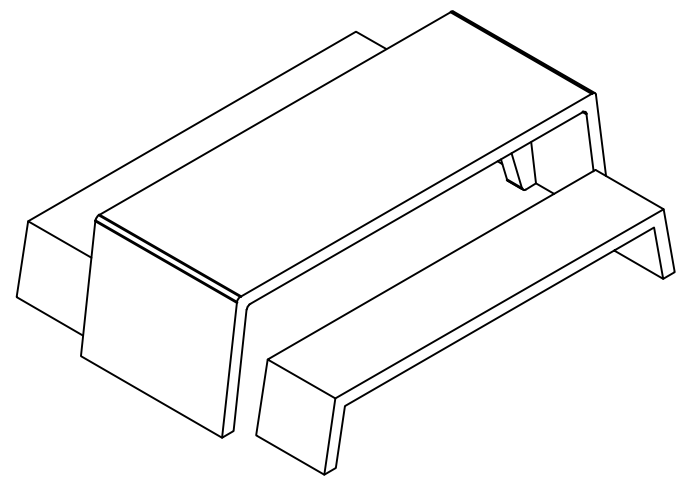
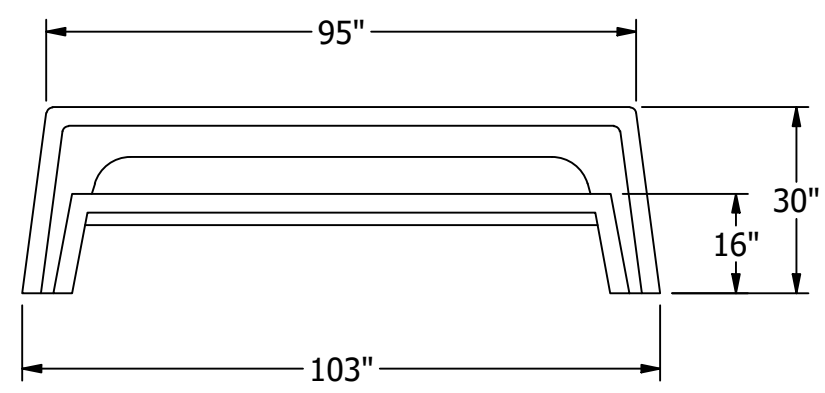


19604 67TH AVE NE ARLINGTON, WA 98223
(360) 435-5531 WWW.CUZCONCRETE.COM



FRONT VIEW



FRONT VIEW

GENERAL NOTES

- MIN. 28-DAY COMPRESSION STRENGTH: 5000 PSI
- APPROX. TOTAL WEIGHT: 2,830 LBS