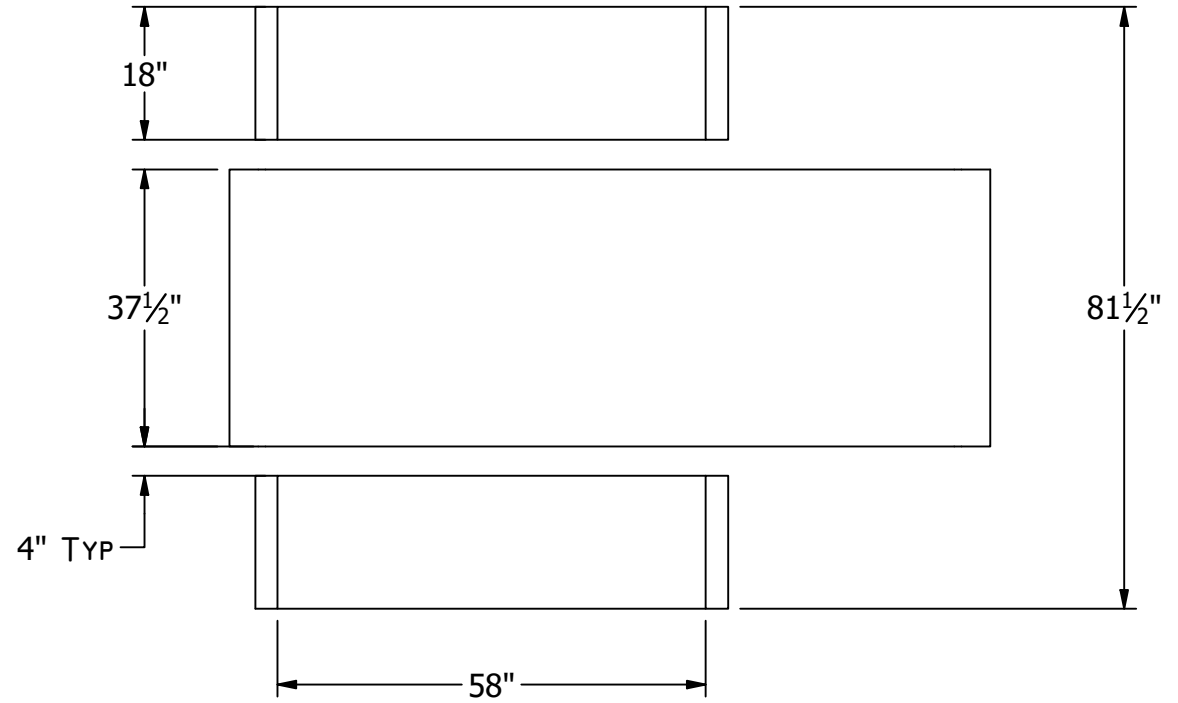
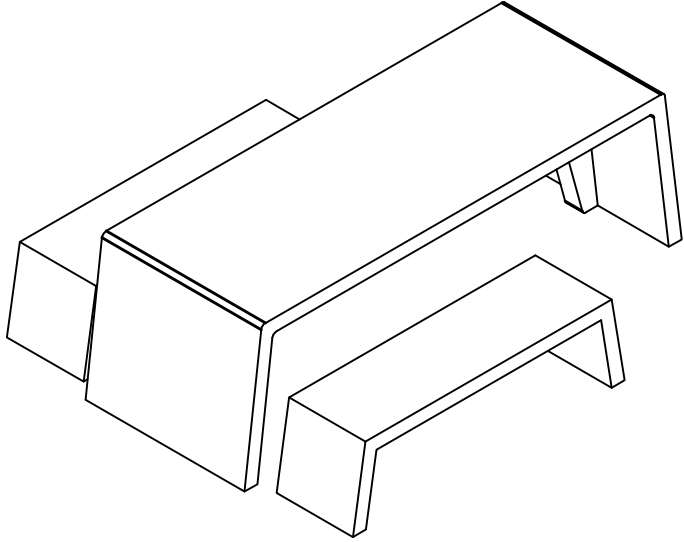


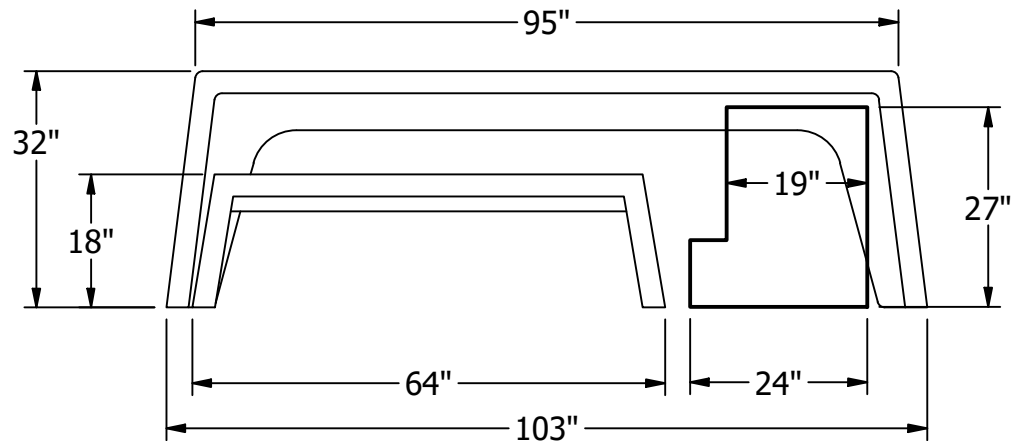
19604 67TH AVE NE ARLINGTON, WA 98223
(360) 435-5531 WWW.CUZCONCRETE.COM



TOP VIEW

GENERAL NOTES

- MIN 28-DAY COMPRESSION STRENGTH: 5000 PSI
- APPROX TOTAL WEIGHT: 2,620 LBS



FRONT VIEW