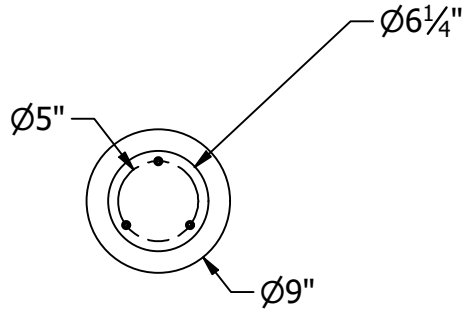
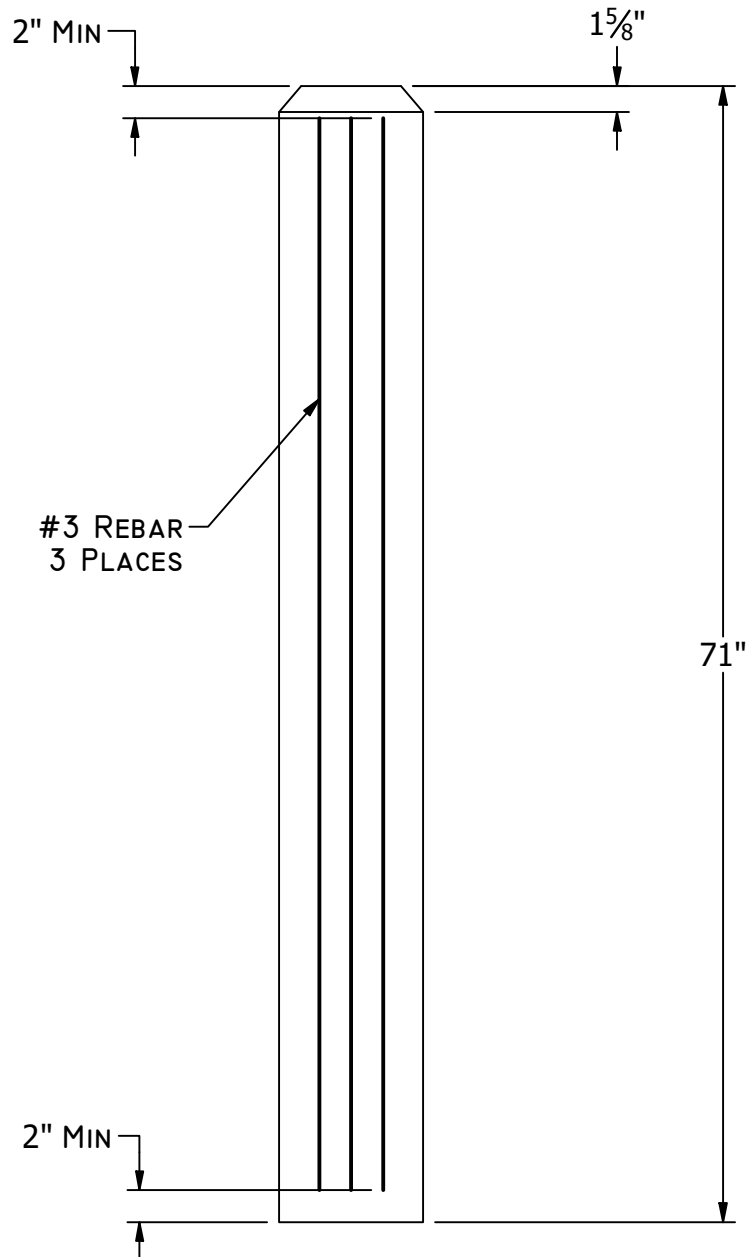


19604 67TH AVE NE ARLINGTON, WA 98223
(360) 435-5531 WWW.CUZCONCRETE.COM



TOP VIEW



FRONT VIEW

GENERAL NOTES:

- APPROX. WEIGHT: 400 LBS
- CONCRETE: 28 DAY COMPRESSIVE STRENGTH $f_c = 4500\text{psi}$
- REBAR: #3 ASTM A-615 GRADE 60
- DESIGN: ASTM C-857 "MINIMUM STRUCTURAL DESIGN LOADING FOR UNDERGROUND PRECAST CONCRETE UTILITY STRUCTURES"