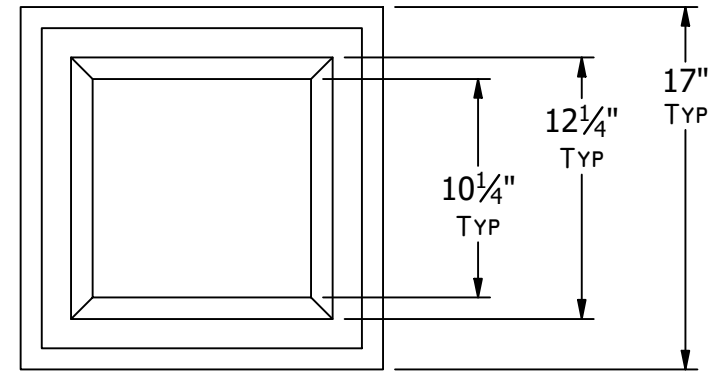
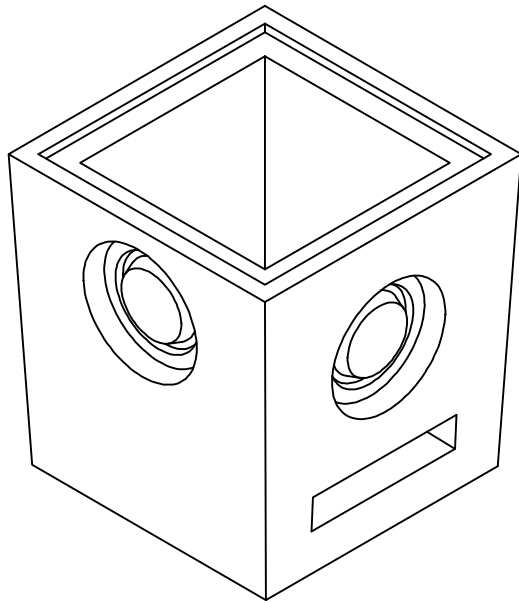
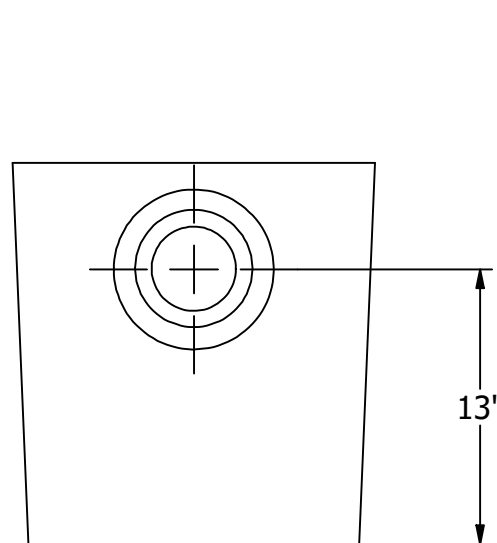


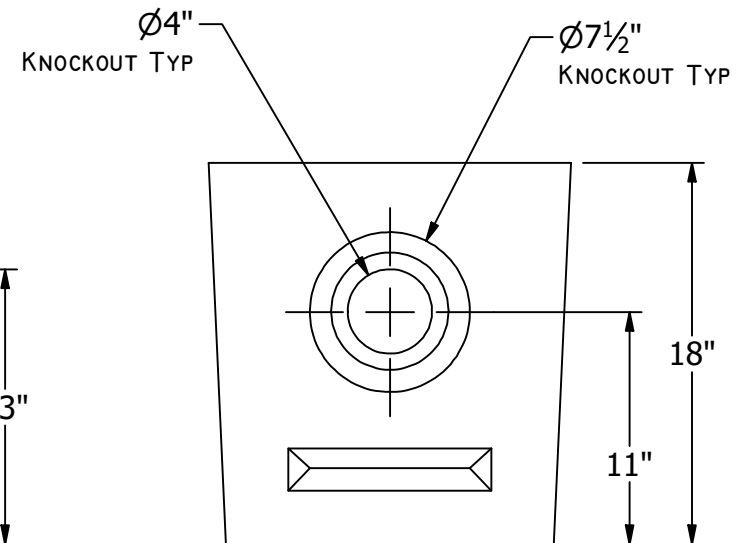
Multi-Knockout Distribution Box



TOP VIEW



LEFT VIEW



FRONT VIEW

GENERAL NOTES:

- WEIGHT: 250 lb
- AREA OF STEEL: .12 IN²
- CONCRETE 28 DAY COMPRESSIVE STRENGTH FC: 4000PSI
- REBAR #4 ASTM A-615 GRADE 60
- DL: 36IN EARTH COVER
- LL: 25 SNOW
- SOILS: 2000PSI
- WATER PRESSURE: 62.4PSF
- FLEXIBLE PIPE ADAPTER PRESS SEAL 4IN CAST-A-STEEL
- JOINT MATERIAL MEETS FEDERAL SPECS. SS-S-002I