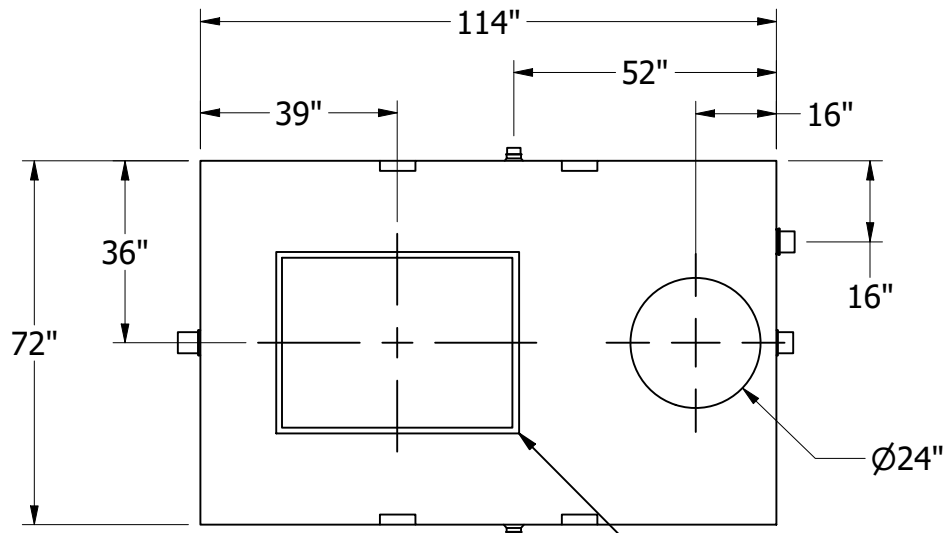
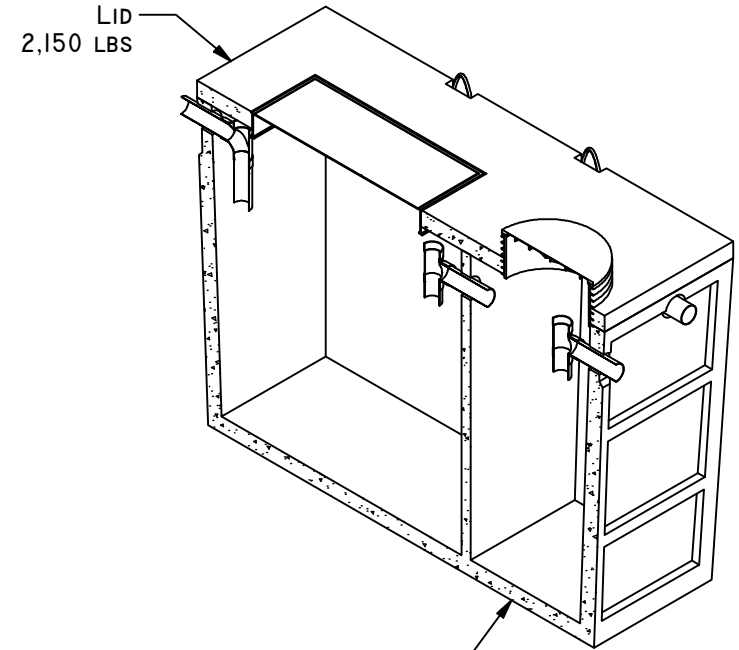


# NIBBLER/CLARIFIER COMBO TANK (1750 gal.)

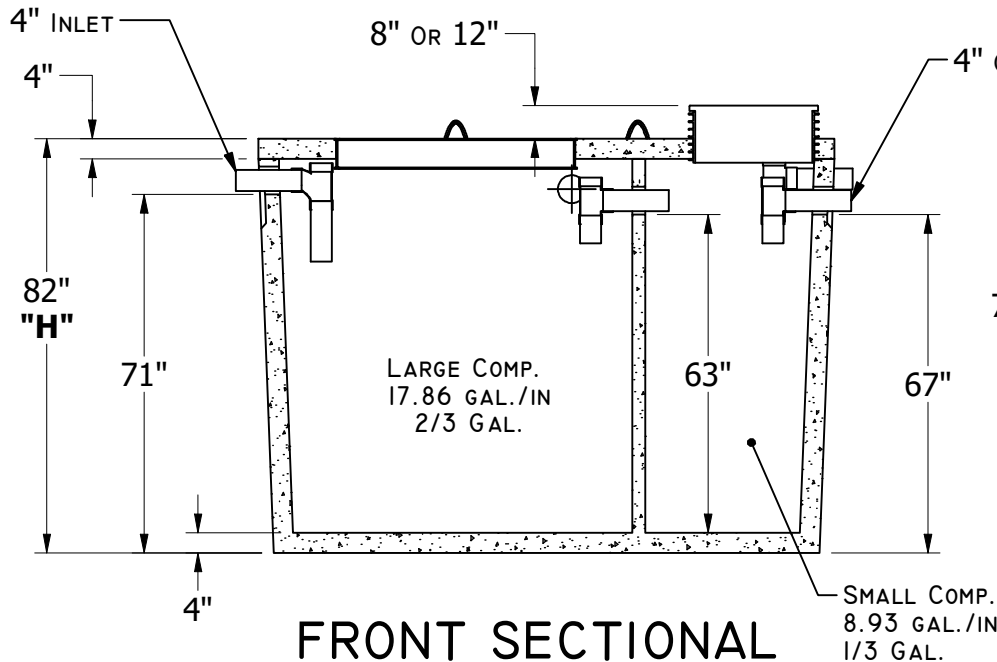


**TOP VIEW**

USF FAB 30" X 42" ALUM. HATCH  
(PER AQUA TEST)

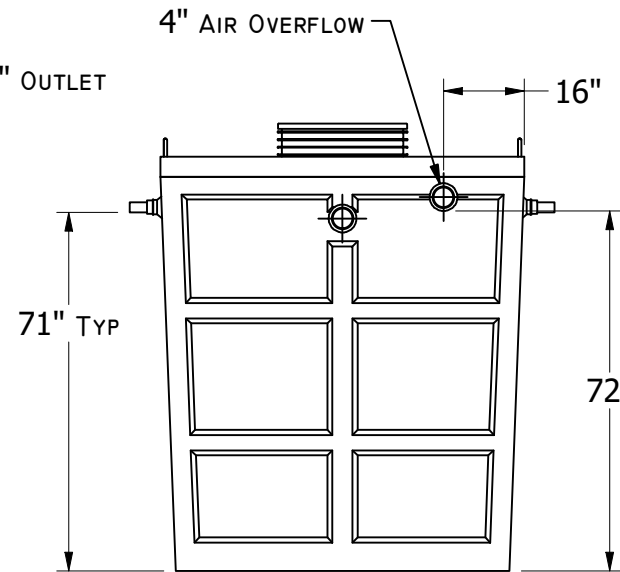


VAULT  
10,750 LBS



**FRONT SECTIONAL VIEW**

SMALL COMP.  
8.93 GAL./IN  
1/3 GAL.



**RIGHT VIEW**

- GENERAL NOTES:**
- TOTAL WEIGHT: 12,900 LBS
  - IF H2O TRAFFIC LID IS INSTALLED HEIGHT (H) IS RAISED 4IN
  - CONCRETE 28 DAY COMPRESSIVE STRENGTH FC 4000PSI
  - REBAR #4 ASTM A-615 GRADE 60
  - DL: 36IN EARTH COVER
  - LL: 25 SNOW
  - SOILS: 2000PSI
  - WATER PRESSURE: 62.4PSF
  - FLEXIBLE PIPE ADAPTER PRESS SEAL 4IN CAST-A-STEEL
  - JOINT MATERIAL MEETS FEDERAL SPECS. SS-S-0021
  - RISERS AS REQUIRED