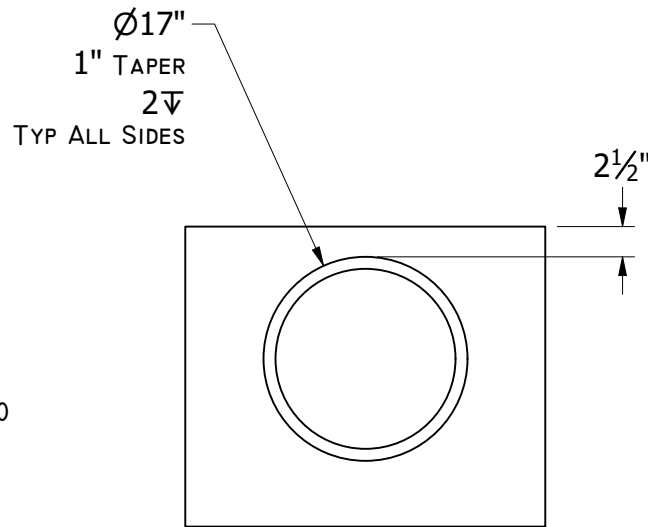
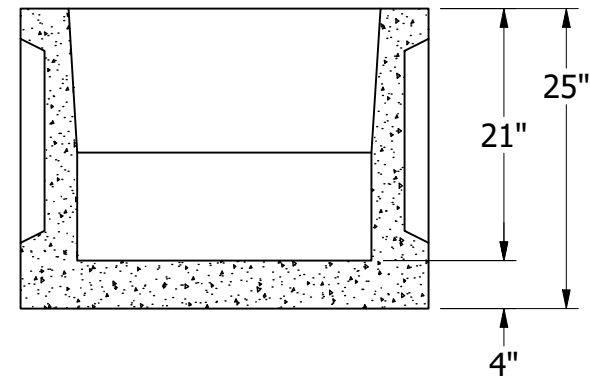


TOP VIEW



LEFT VIEW



FRONT SECTIONAL VIEW

GENERAL NOTES:

- TOTAL WEIGHT: 1,250 LBS
- CONFORMS TO WASHINGTON STATE APWA / WSDOT
- ASTM C33 / C150: 28-DAY COMPRESSIVE STRENGTH F'c: 4,000 PSI
- REINFORCING REBAR: 0.12 SQ. IN PER FT.