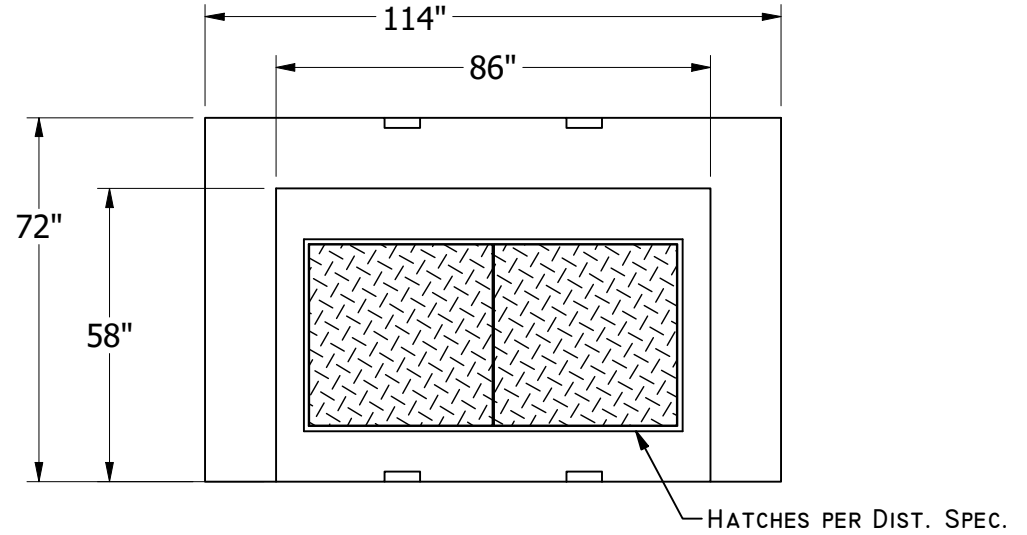
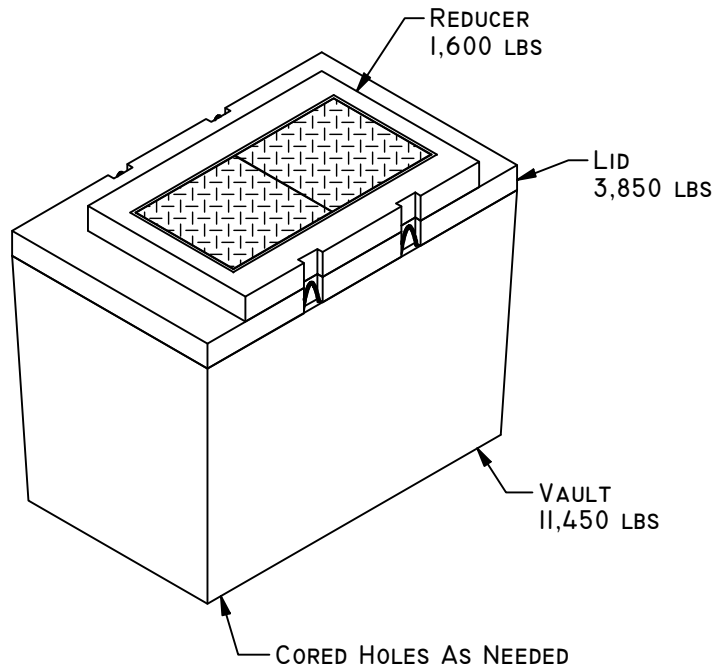
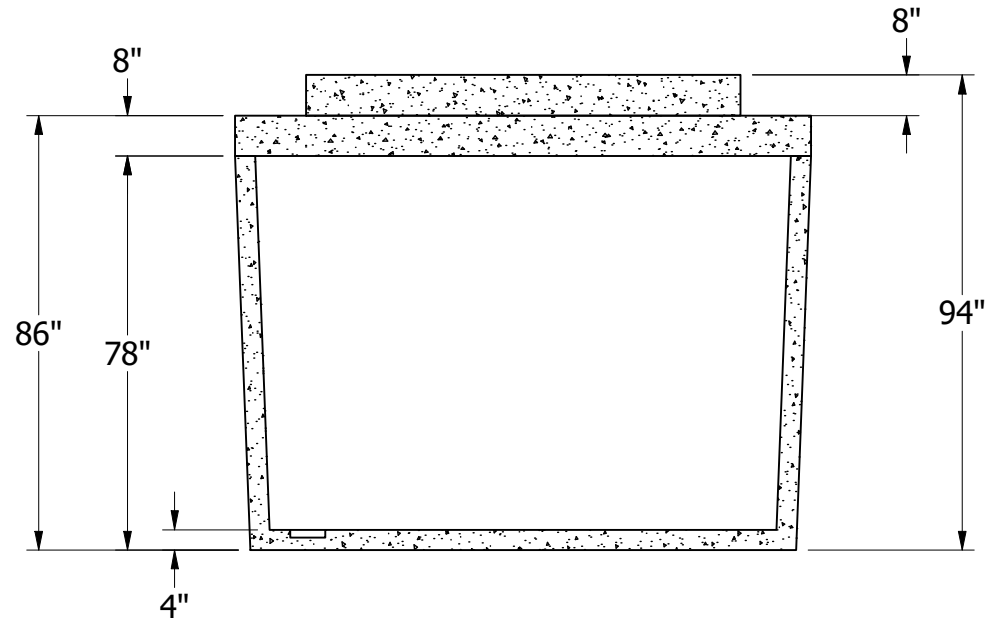


19604 67TH AVE NE ARLINGTON, WA 98223  
 (360) 435-5531 WWW.CUZCONCRETE.COM



**TOP VIEW**



**FRONT SECTIONAL VIEW**

**GENERAL NOTES:**

- APPROX. WEIGHT: 16,900 LBS
- CONCRETE: 28 DAY COMPRESSIVE STRENGTH  $f_c = 4500\text{psi}$
- REBAR: #4 ASTM A-615 GRADE 60
- MESH: ASTM A-185 GRADE 88
- DESIGN: ASTM C-857 "MINIMUM STRUCTURAL DESIGN LOADING FOR UNDERGROUND PRECAST CONCRETE UTILITY STRUCTURES"
- REINFORCING PLACEMENT: #4 REBAR 12" O.C. THROUGHOUT BASE AND TOP SECTIONS, 4"X4"/4 GAUGE MESH WITH 2-#4 REBAR RUNNING HORIZONTALLY THROUGH BELL JOINTS IN MID-SECTION.
- JOINT MATERIAL: MEETS FEDERAL SPECIFICATIONS SS-S-00210, AASHTO M-198B AND ASTM C990