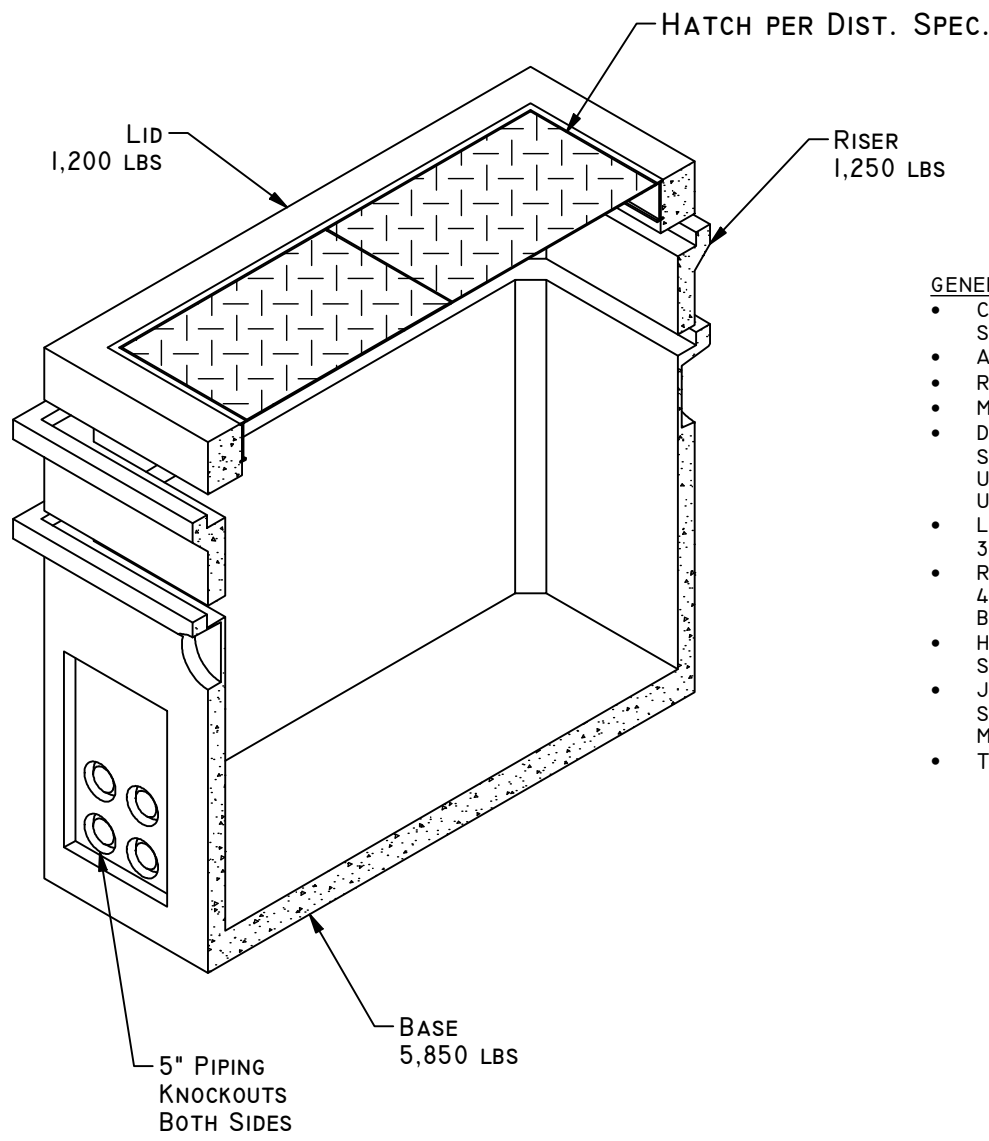
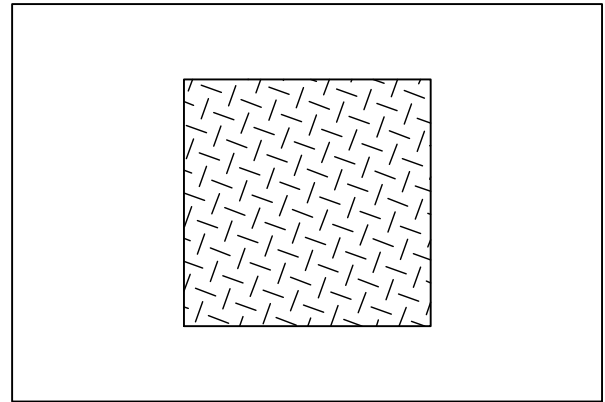


19604 67TH AVE NE ARLINGTON, WA 98223
 (360) 435-5531 WWW.CUZCONCRETE.COM

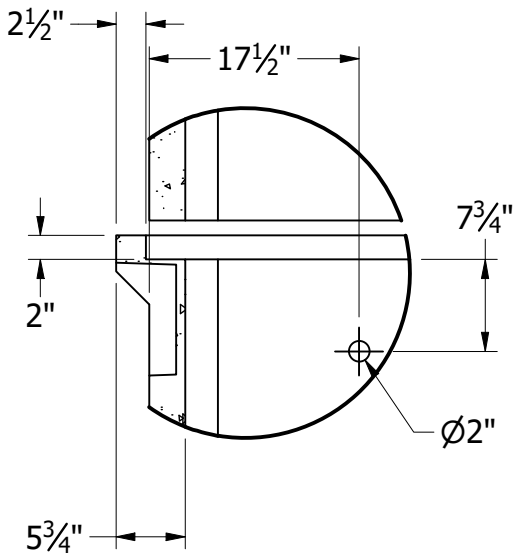


GENERAL NOTES:

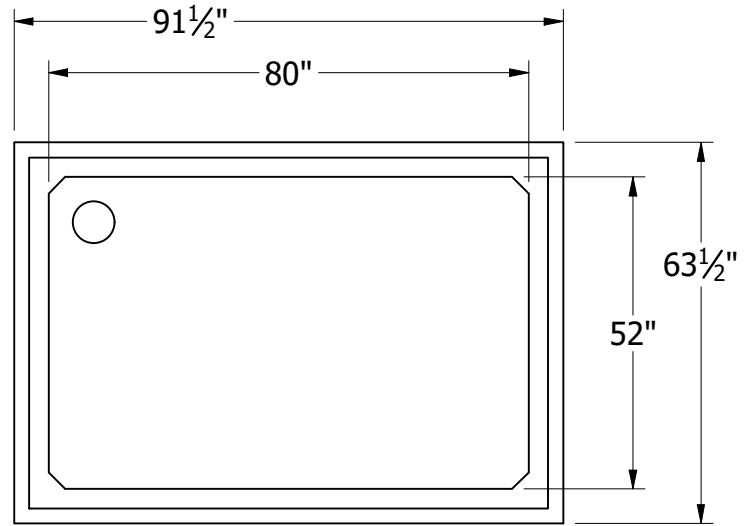
- CONCRETE: 28 DAY COMPRESSIVE STRENGTH FC: 4500PSI
- APPROX. WEIGHT: 8,300 LBS
- REBAR: #4 ASTM A-615 GRADE 60
- MESH: ASTM A-185 GRADE 88
- DESIGN: ASTM C-857 "MINIMUM STRUCTURAL DESIGN LOADING FOR UNDERGROUND PRECAST CONCRETE UTILITY STRUCTURES"
- LOADS: H-20 TRUCK WHEEL WITH 30% IMPACT PER AASHTO
- REINFORCING PLACEMENT: 4X4 - 4 GAUGE THROUGHOUT WITH 2 - #4 BARS ALONG BELL JOINTS
- HATCHES PER DISTRICT SPECIFICATIONS
- JOINT MATERIAL: MEETS FEDERAL SPECIFICATIONS SS-S-00210, AASHTO M-1988 AND ASTM C990
- TRAFFIC RATED RISERS AS NEEDED



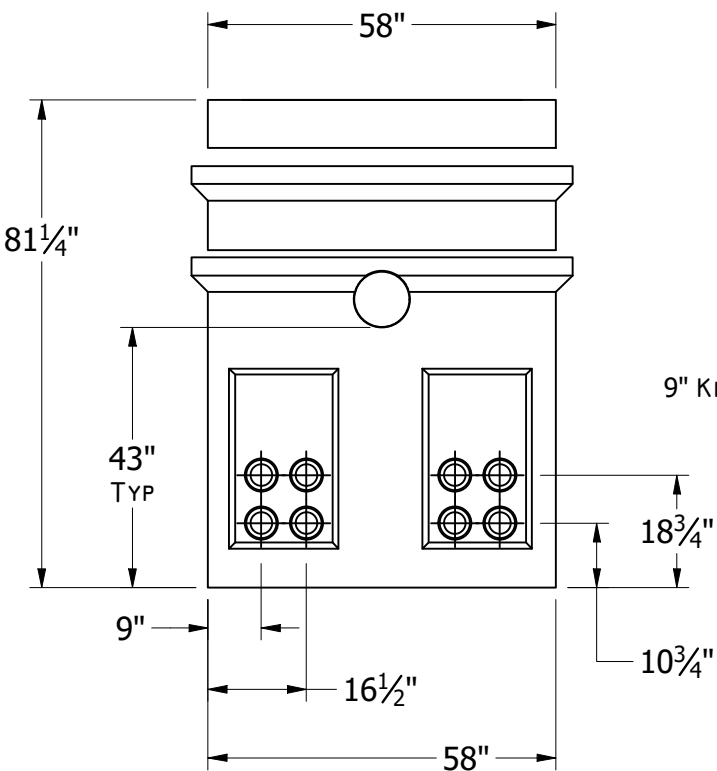
OPTIONAL LID
 HATCH PER DIST. SPEC.
 WEIGHT 2,650 LBS



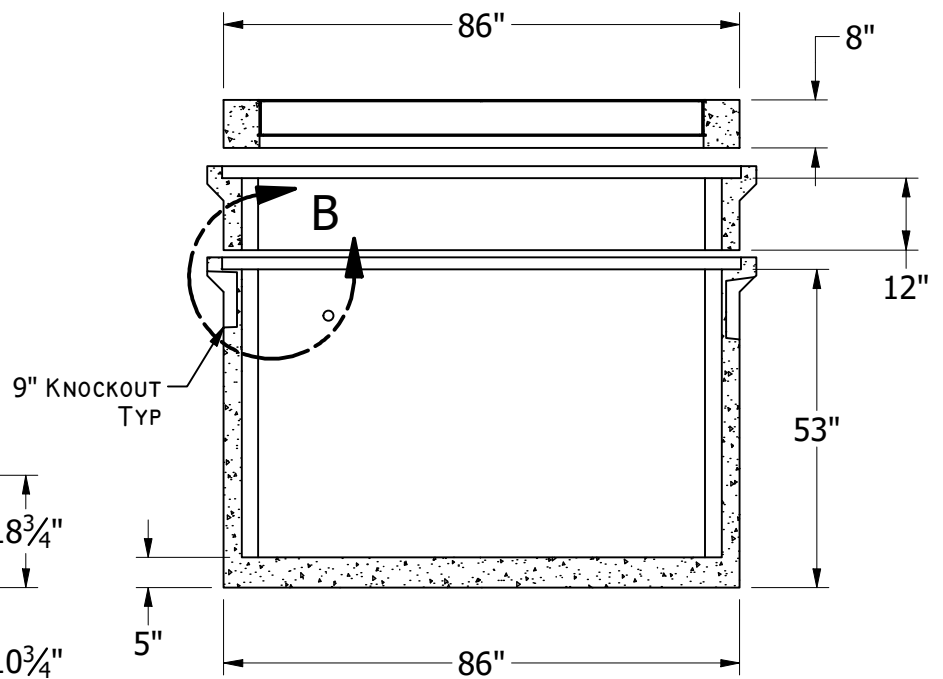
DETAIL B
 DIMENSIONS TYPICAL



TOP VIEW



LEFT VIEW



FRONT SECTIONAL VIEW