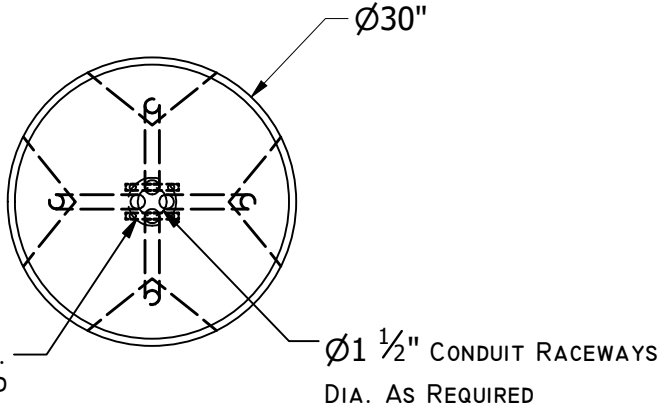


19604 67TH AVE NE ARLINGTON, WA 98223  
 (360) 435-5531 WWW.CUZCONCRETE.COM



**TOP VIEW**

Reinforcement:

6 - #4 Vertical  
 As Needed - #3 Hoops - 12" O.C.

Weight (lb):

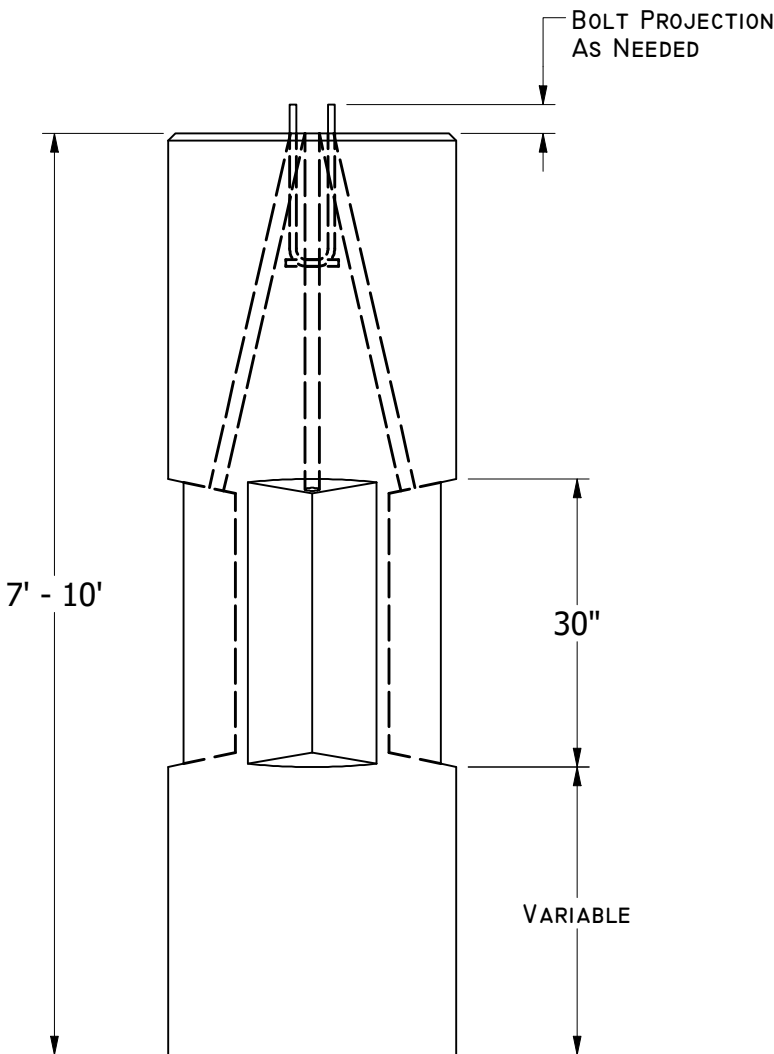
6' = 3930  
 7' = 4670  
 8' = 5410  
 9' = 6140  
 10' = 6880

GENERAL NOTES:

- CONCRETE: 28 DAY COMPRESSIVE STRENGTH  $f'_c = 3000$  psi PER ASTM C-33 & C-150
- REBAR: ASTM-165 & A-123 GRADE 60 SIZE & PLACEMENT REQUIRED

Part Numbers:

CCP - 30 - 6PB  
 CCP - 30 - 7PB  
 CCP - 30 - 8PB  
 CCP - 30 - 9PB  
 CCP - 30 - 10PB



**FRONT VIEW**

