

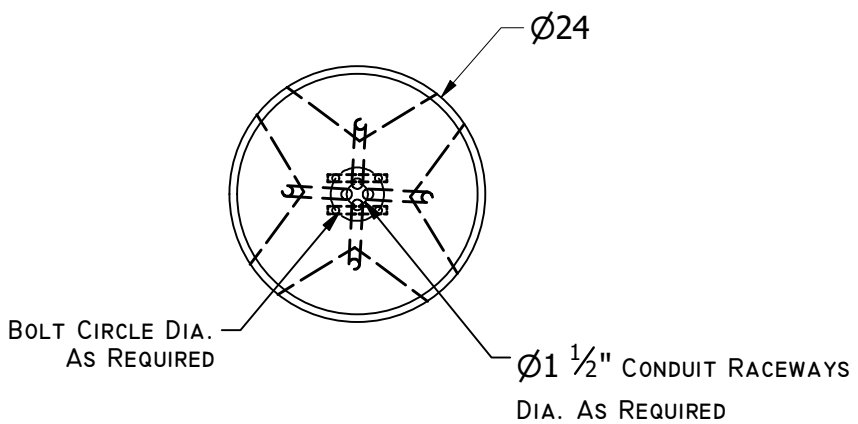
19604 67TH AVE NE ARLINGTON, WA 98223
 (360) 435-5531 WWW.CUZCONCRETE.COM

Reinforcement:
 6 - #4 Vertical
 As Needed - #3 Hoops - 12" O.C.

Weight (lb):
 5' = 2080
 6' = 25550
 7' = 3030
 8' = 3500
 9' = 3970
 10' = 4440

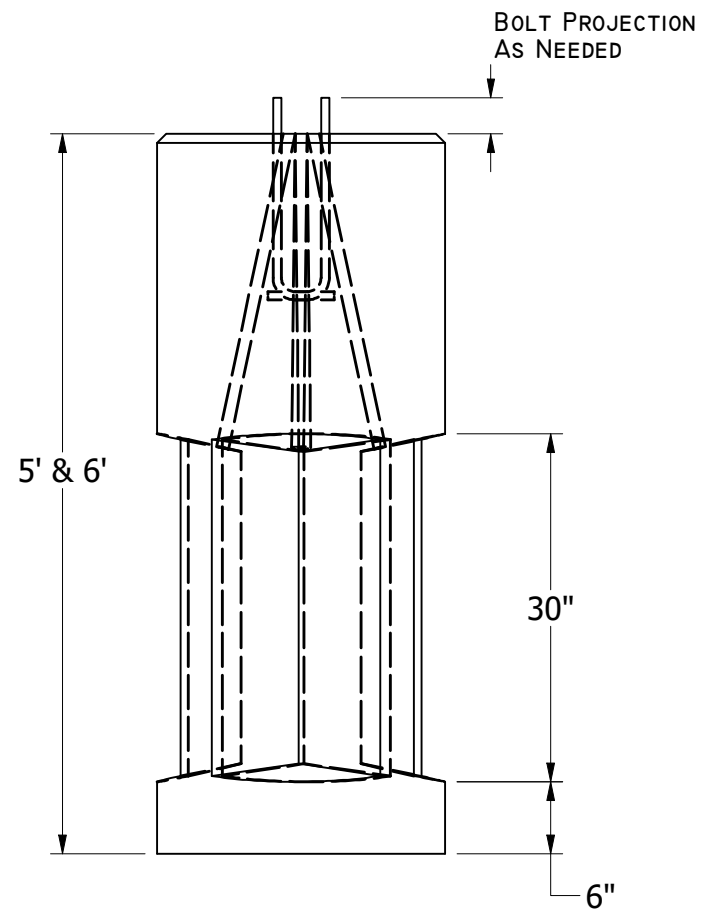
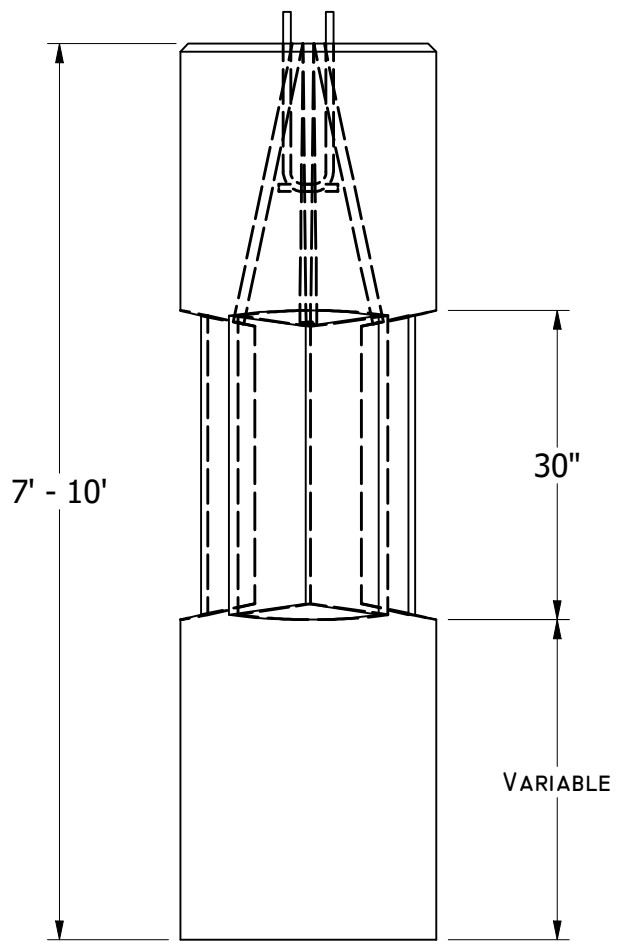
GENERAL NOTES:

- CONCRETE: 28 DAY COMPRESSIVE STRENGTH $f'_c = 3000$ psi PER ASTM C-33 & C-150
- REBAR: ASTM-165 & A-123 GRADE 60 SIZE & PLACEMENT REQUIRED



TOP VIEW

Part Numbers:
 CCP - 24 - 5PB
 CCP - 24 - 6PB
 CCP - 24 - 7PB
 CCP - 24 - 8PB
 CCP - 24 - 9PB
 CCP - 24 - 10PB



FRONT VIEW