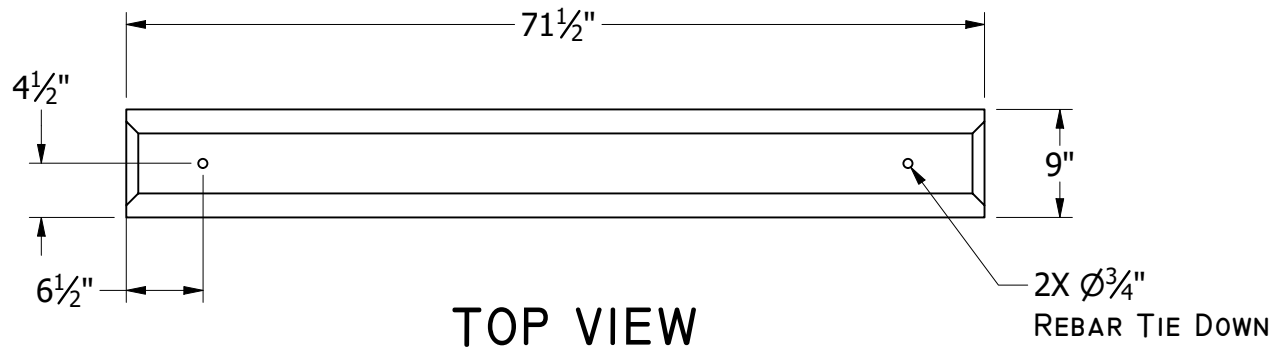
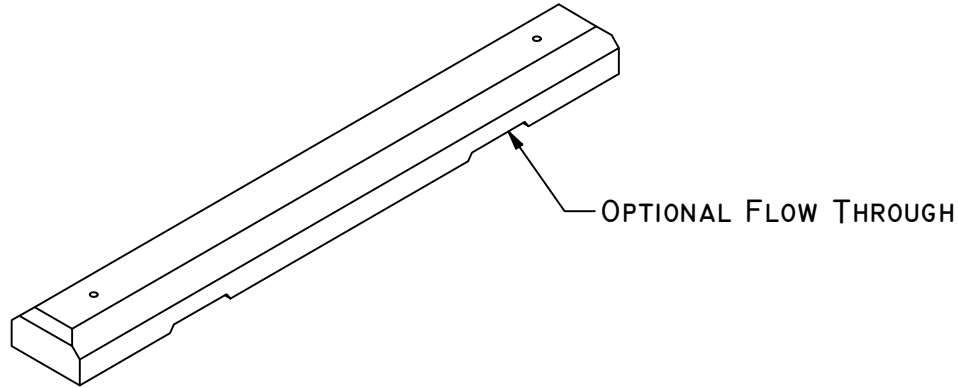
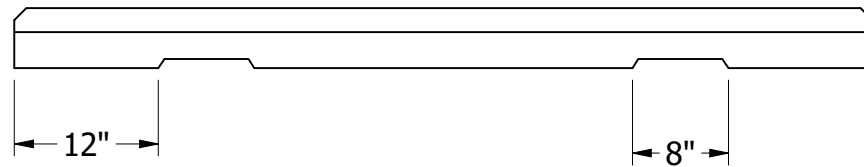


19604 67TH AVE NE ARLINGTON, WA 98223
 (360) 435-5531 WWW.CUZCONCRETE.COM

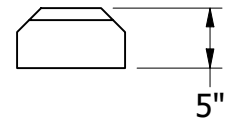


TOP VIEW

***NOTE:**
 ALL DIMENSIONS ARE TYPICAL



FRONT VIEW



RIGHT VIEW

- GENERAL NOTES:**
- TOTAL WEIGHT: 250 LBS
 - CONCRETE: 28 DAY COMPRESSIVE STRENGTH FC: 4500PSI PER ASTM C-33 AND C-150
 - REBAR: #4 ASTM A-615 & A-123 GRADE 60