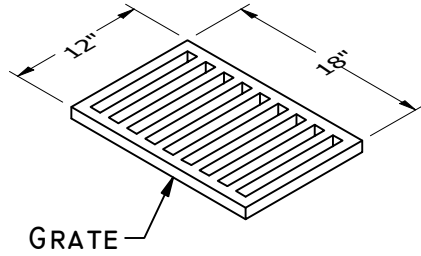
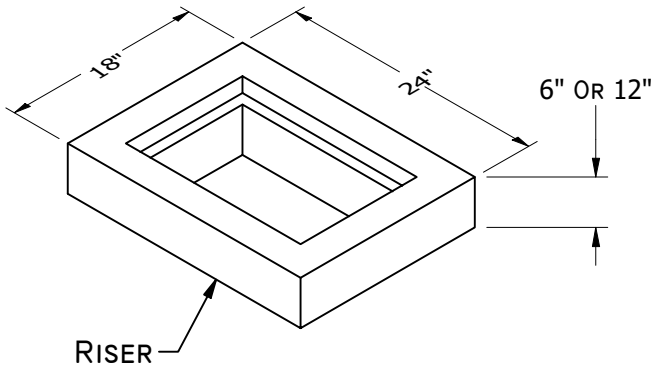


	W	L
Outside Dims.	18	24
Inside Dims.	10	16



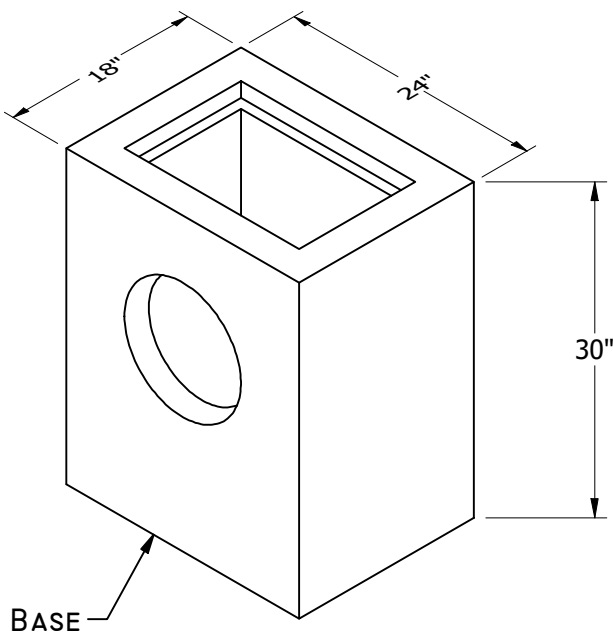
CONFORMS TO:

- WASHINGTON STATE APWA / WSDOT
- ASTM C33 & ASTM C150:
28-DAY COMPRESSIVE STRENGTH F'C = 4000 PSI



REINFORCING

- 0.12 SQ. IN. PER FOOT (ALL COMPONENTS)



WEIGHTS

- 6" RISER: 150 LBS
- 12" RISER: 300 LBS
- BASE: 800 LBS

GRATE

- BASE AND RISERS ARE DESIGNED FOR USE OF THE GRATE WITH OR WITHOUT THE FRAME