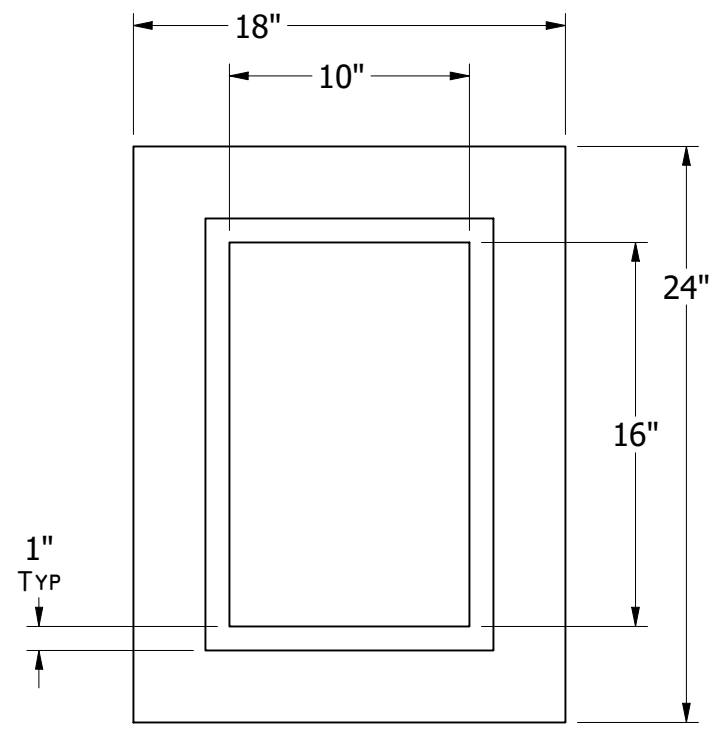
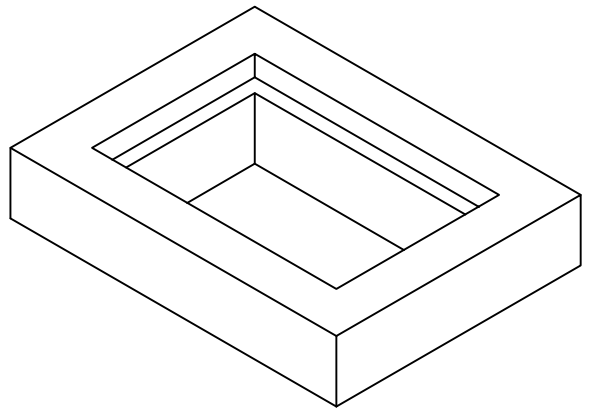


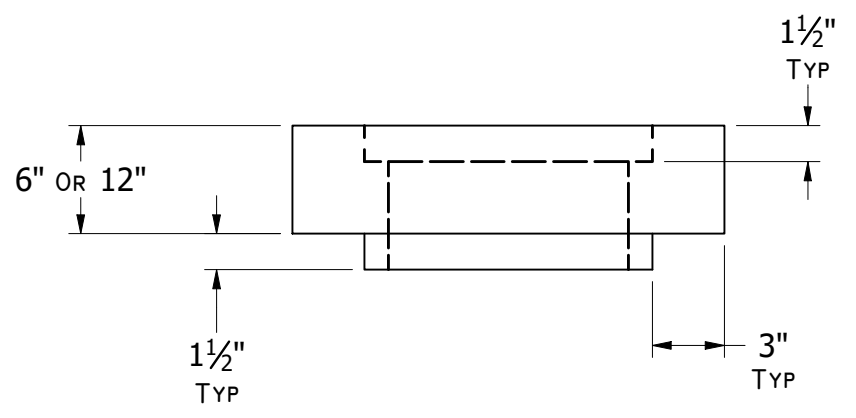
19604 67TH AVE NE ARLINGTON, WA 98223
 (360) 435-5531 WWW.CUZCONCRETE.COM



TOP VIEW

	Weight (lbs)
4"	150
6"	300

- GENERAL NOTES:**
- CONFORMS TO WASHINGTON STATE APWA / WSDOT
 - ASTM C33 / C150: 28-DAY COMPRESSIVE STRENGTH F'C: 4000 PSI
 - REINFORCING REBAR: 0.12 sq. IN PER FT.



FRONT VIEW