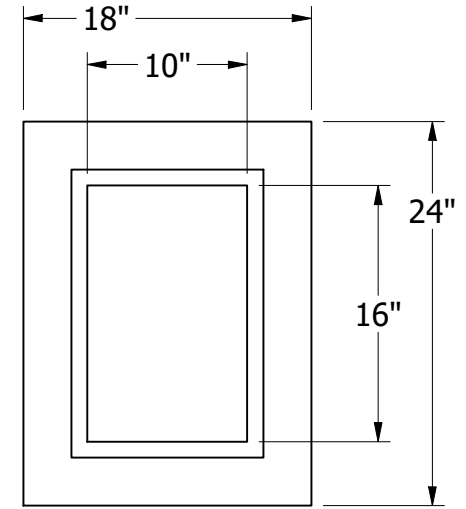
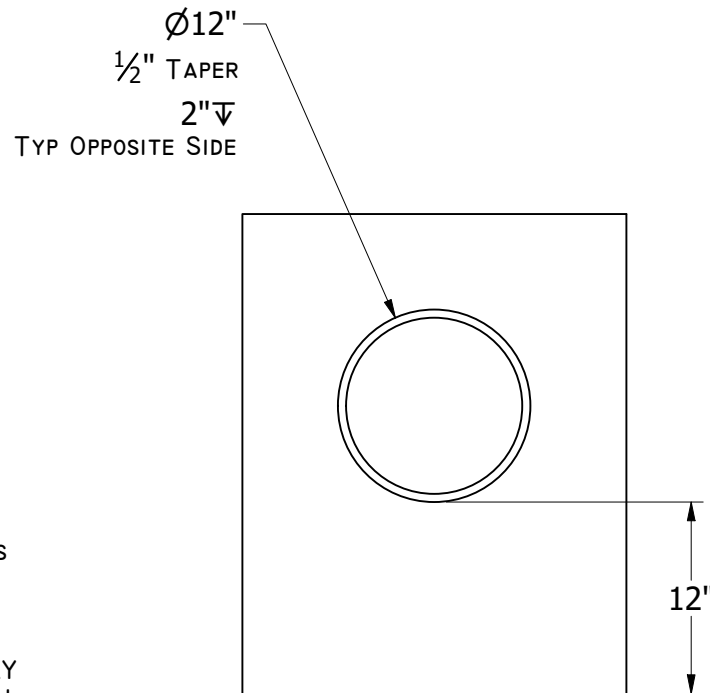


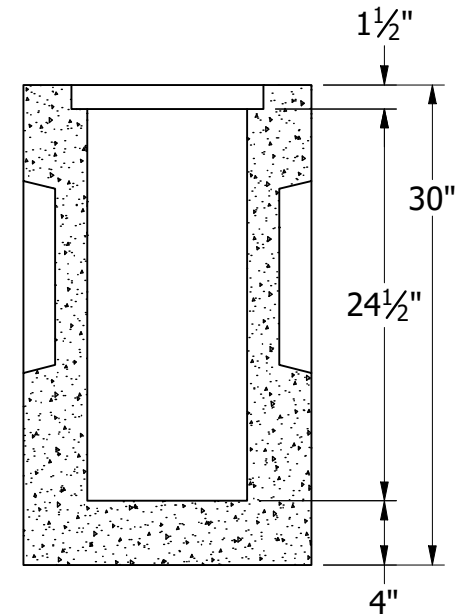
19604 67TH AVE NE ARLINGTON, WA 98223  
 (360) 435-5531 WWW.CUZCONCRETE.COM



**TOP VIEW**



**LEFT VIEW**



**FRONT SECTIONAL VIEW**

**GENERAL NOTES:**

- TOTAL WEIGHT: 800 LBS
- CONFORMS TO WASHINGTON STATE APWA / WSDOT
- ASTM C33 / C150: 28-DAY COMPRESSIVE STRENGTH F'C: 4000 PSI
- REINFORCING REBAR: 0.12 SQ. IN PER FT.