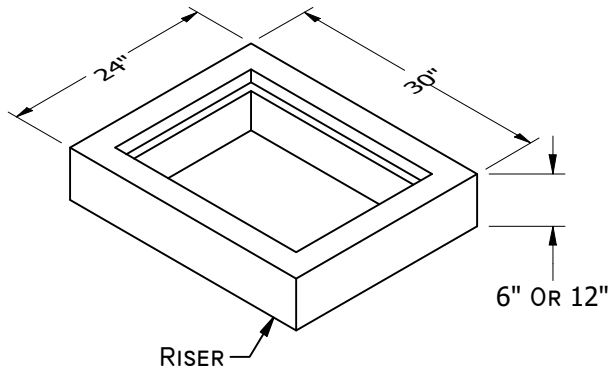


	W	L
Outside Dims.	24	30
Inside Dims.	16	22

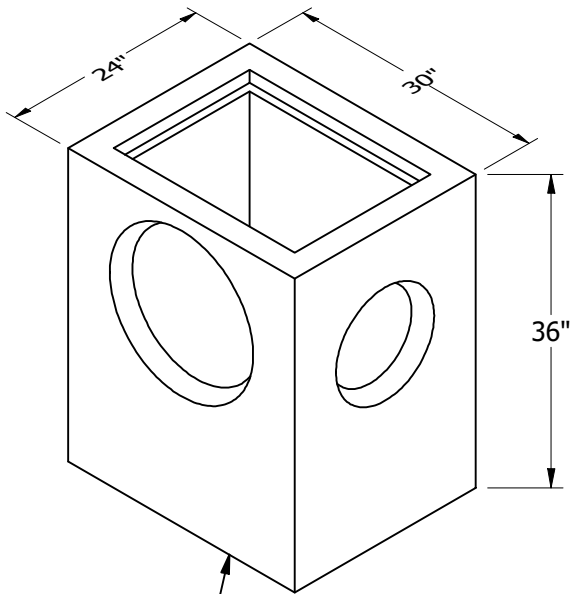


**GRATE**

- BASE AND RISERS ARE DESIGNED FOR USE OF THE GRATE WITH OR WITHOUT THE FRAME

**CONFORMS TO:**

- WASHINGTON STATE APWA / WSDOT
- ASTM C33 & ASTM C150: 28-DAY COMPRESSIVE STRENGTH F'C = 4000 PSI



**REINFORCING**

- 0.12 SQ. IN. PER FOOT (ALL COMPONENTS)

**WEIGHTS**

- 6" RISER: 200 LBS
- 12" RISER: 400 LBS
- BASE: 1,200 LBS

BASE  
 FLAT OR ROUNDED  
 BOTTOM AVAILABLE