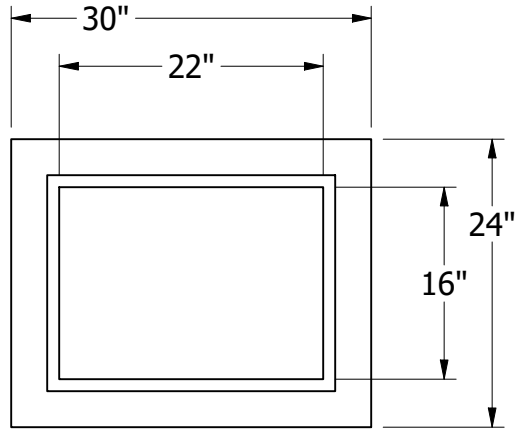
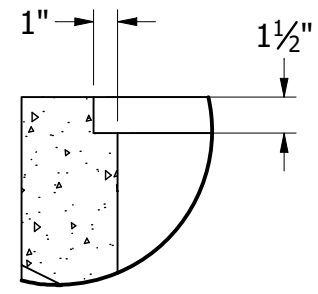


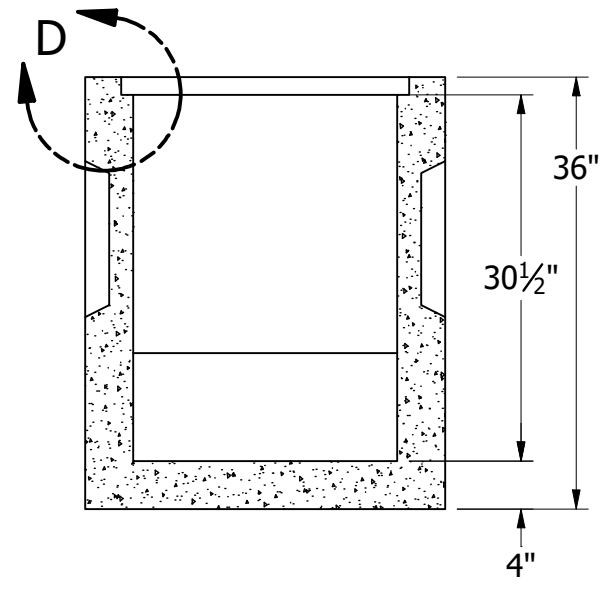
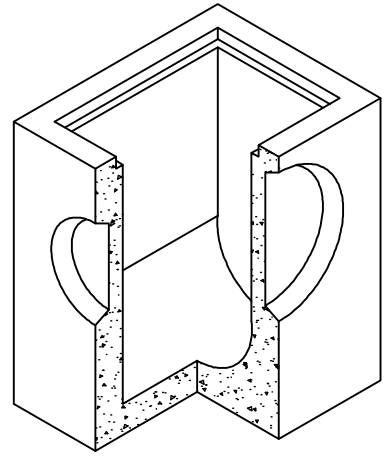
**CB TYPE 30  
 ROUNDED BOTTOM**



**TOP VIEW**

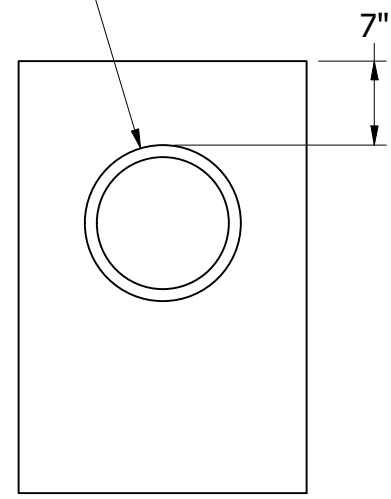


**DETAIL D  
 ALL DIMENSIONS TYP**



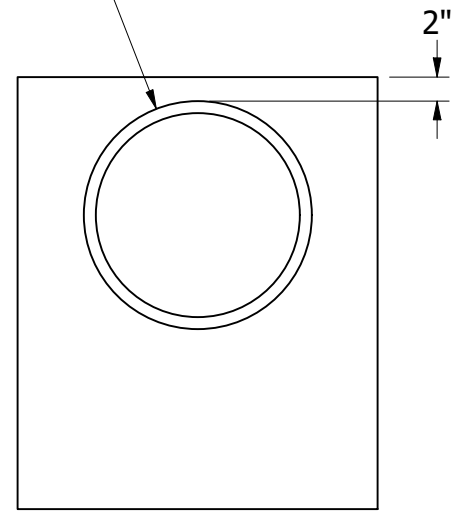
**FRONT SECTIONAL  
 VIEW**

Ø13"  
 1" TAPER  
 2"▽  
 TYP OPPOSITE SIDE



**RIGHT VIEW**

Ø19"  
 1" TAPER  
 2"▽  
 TYP OPPOSITE SIDE



**BACK VIEW**

- GENERAL NOTES:**
- TOTAL WEIGHT: 1,200 LBS
  - CONFORMS TO WASHINGTON STATE APWA / WSDOT
  - ASTM C33 / CI50: 28-DAY COMPRESSIVE STRENGTH F'c: 4000 PSI
  - REINFORCING REBAR: 0.12 sq. IN PER FT.