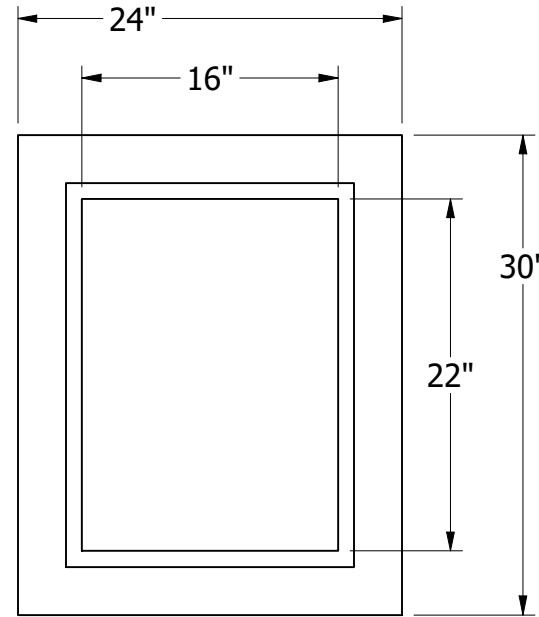
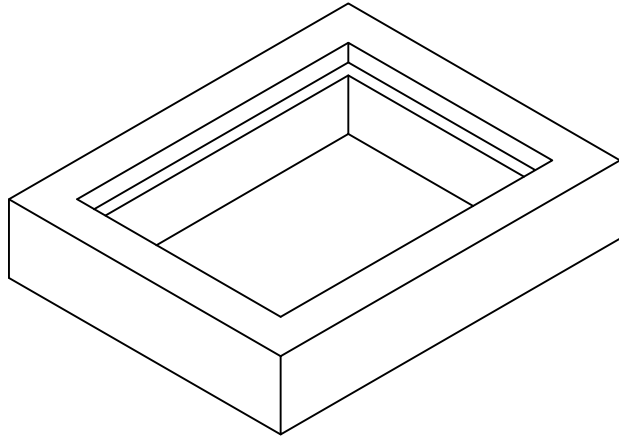
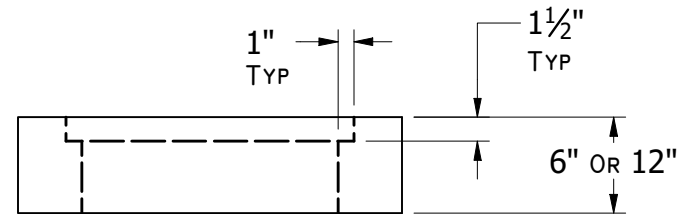


19604 67TH AVE NE ARLINGTON, WA 98223
 (360) 435-5531 WWW.CUZCONCRETE.COM



TOP VIEW

	Weight (lbs)
6"	200
12"	400



FRONT VIEW

GENERAL NOTES:

- CONFORMS TO WASHINGTON STATE APWA / WSDOT
- ASTM C33 / CI50: 28-DAY COMPRESSIVE STRENGTH F'C: 4000 PSI
- REINFORCING REBAR: 0.12 sq. IN PER FT.