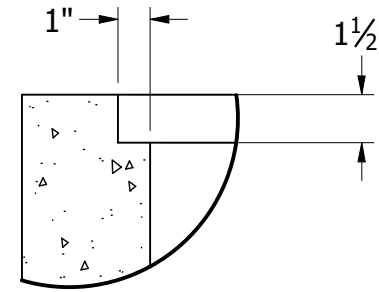
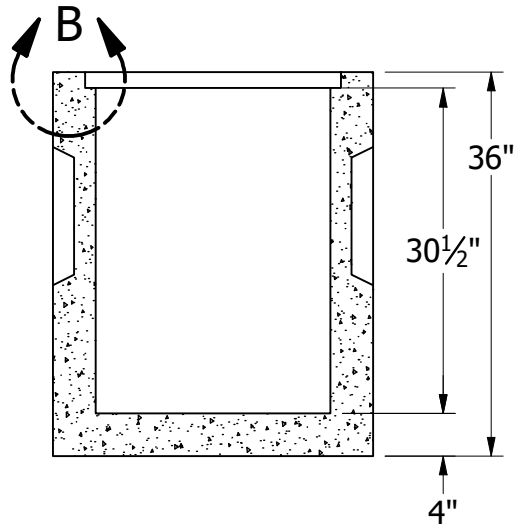


TOP VIEW



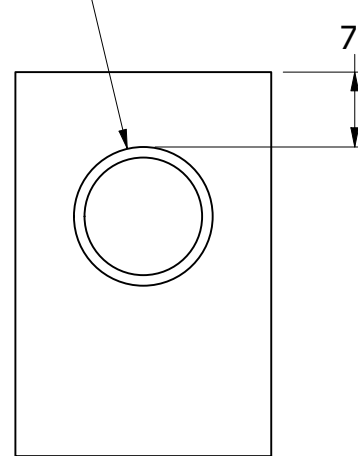
DETAIL B
ALL DIMENSIONS TYP



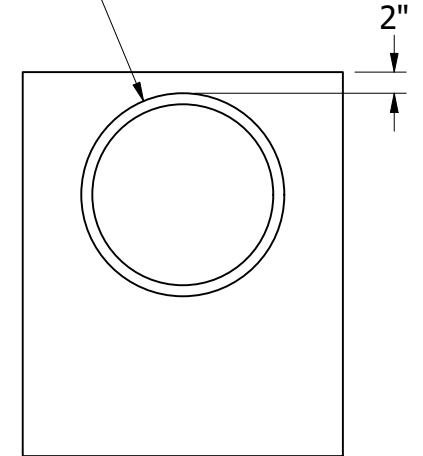
**FRONT SECTIONAL
VIEW**

Ø13"
1" TAPER
2"▽
TYP OPPOSITE SIDE

Ø19"
1" TAPER
2"▽
TYP OPPOSITE SIDE



RIGHT VIEW



BACK VIEW

GENERAL NOTES:

- TOTAL WEIGHT: 1,200 LBS
- CONFORMS TO WASHINGTON STATE APWA / WSDOT
- ASTM C33 / CI50: 28-DAY COMPRESSIVE STRENGTH F'C: 4000 PSI
- REINFORCING REBAR: 0.12 SQ. IN PER FT.