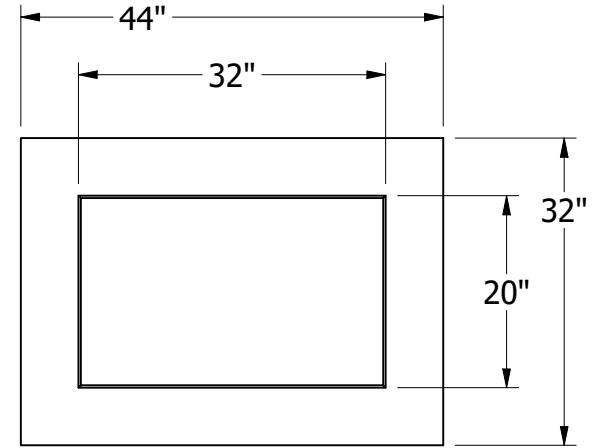
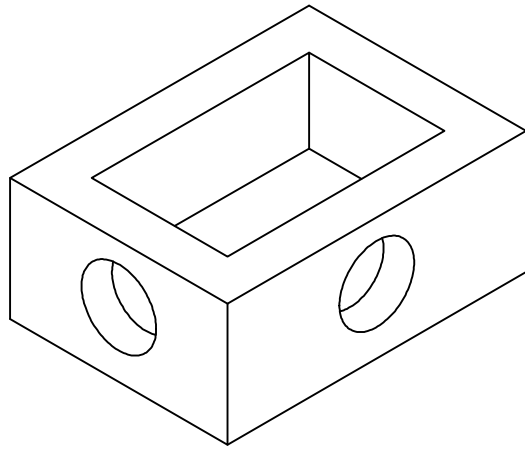


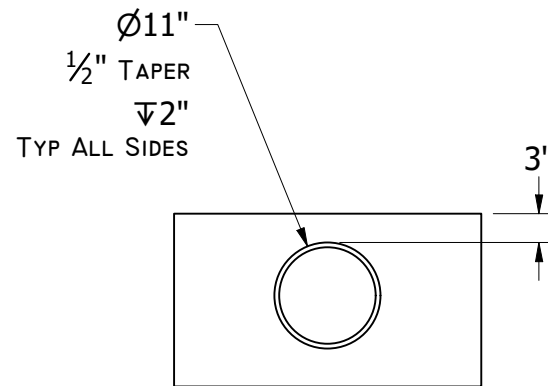
19604 67TH AVE NE ARLINGTON, WA 98223  
 (360) 435-5531 WWW.CUZCONCRETE.COM



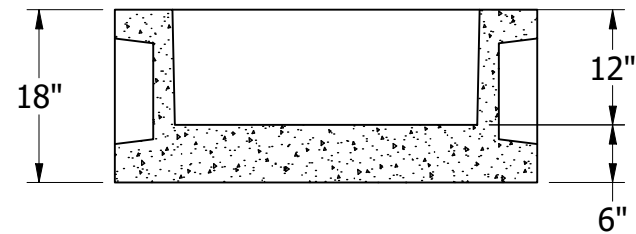
**TOP VIEW**

GENERAL NOTES:

- TOTAL WEIGHT: 1,500 LBS
- CONFORMS TO WASHINGTON STATE APWA / WSDOT
- ASTM C33 / CI50: 28-DAY COMPRESSIVE STRENGTH F'c: 4000 PSI
- REINFORCING REBAR: 0.12 SQ. IN PER FT.
- REBAR: #4 ASTM A-615 GRADE 60
- MESH: ASTM A-185 GRADE 88



**LEFT VIEW**



**FRONT SECTIONAL VIEW**