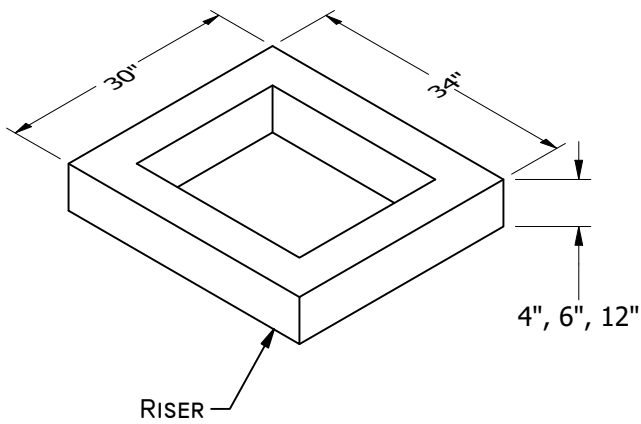


19604 67TH AVE NE ARLINGTON, WA 98223
 (360) 435-5531 WWW.CUZCONCRETE.COM

	W	L
Outside Dims.	30	34
Inside Dims.	22	26

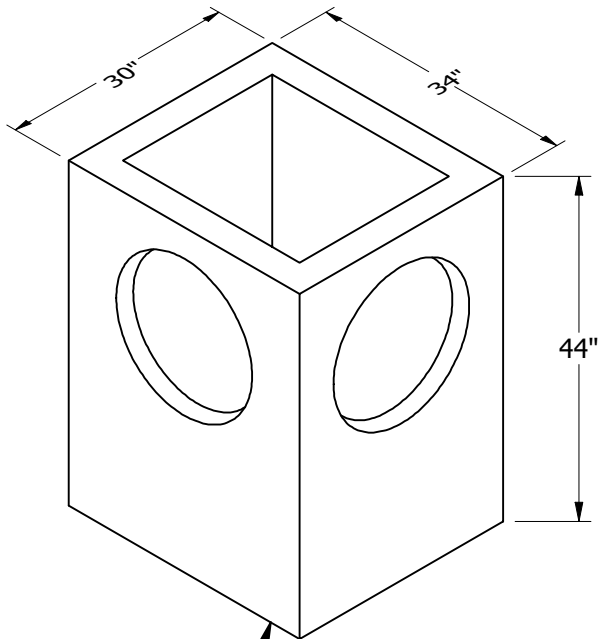
CONFORMS TO:

- WASHINGTON STATE APWA / WSDOT
- ASTM C33 & ASTM CI50:
28-DAY COMPRESSIVE STRENGTH F'C = 4000 PSI



REINFORCING

- 0.12 SQ. IN. PER FOOT (ALL COMPONENTS)



BASE
 FLAT OR ROUNDED
 BOTTOM AVAILABLE

WEIGHTS

- 4" RISER: 200 LBS
- 6" RISER: 300 LBS
- 12" RISER: 600 LBS
- BASE: 1,900 LBS