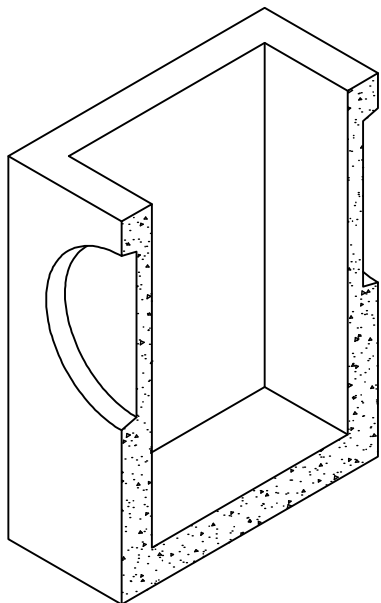
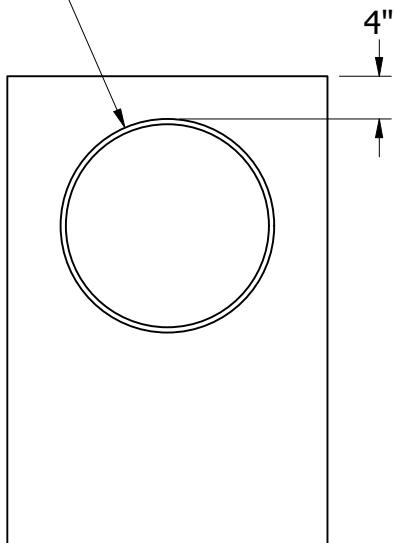


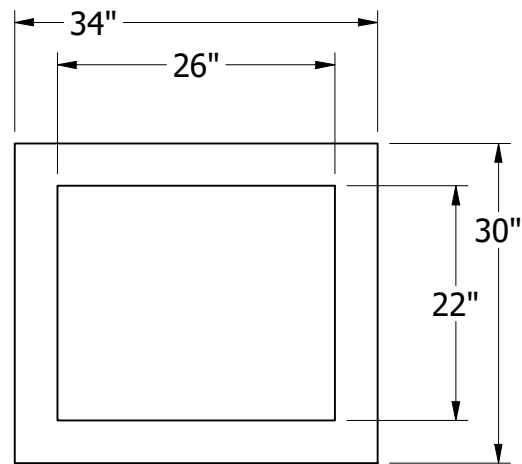
19604 67TH AVE NE ARLINGTON, WA 98223  
(360) 435-5531 WWW.CUZCONCRETE.COM



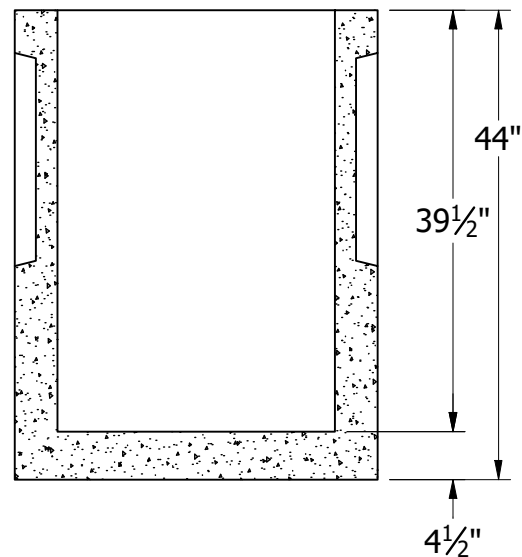
Ø20"  
1/2" TAPER  
2" ∇  
TYP ALL SIDES



**LEFT VIEW**



**TOP VIEW**



**FRONT SECTIONAL  
VIEW**

**GENERAL NOTES:**

- TOTAL WEIGHT: 1,800 LBS
- CONFORMS TO WASHINGTON STATE APWA / WSDOT
- ASTM C33 / CI50: 28-DAY COMPRESSIVE STRENGTH F'c: 4000 PSI
- REINFORCING REBAR: 0.12 SQ. IN PER FT.