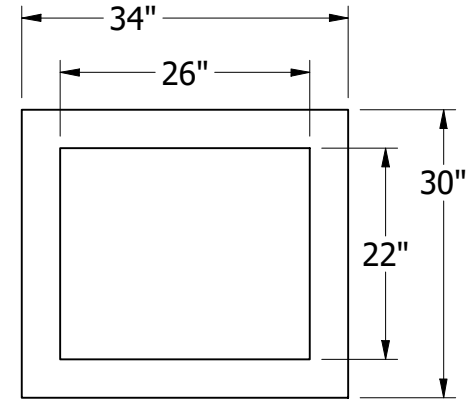
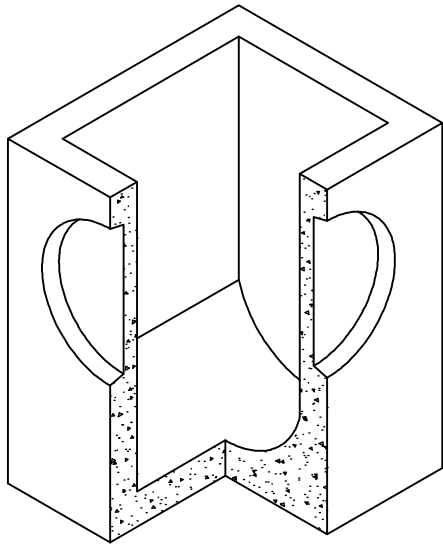
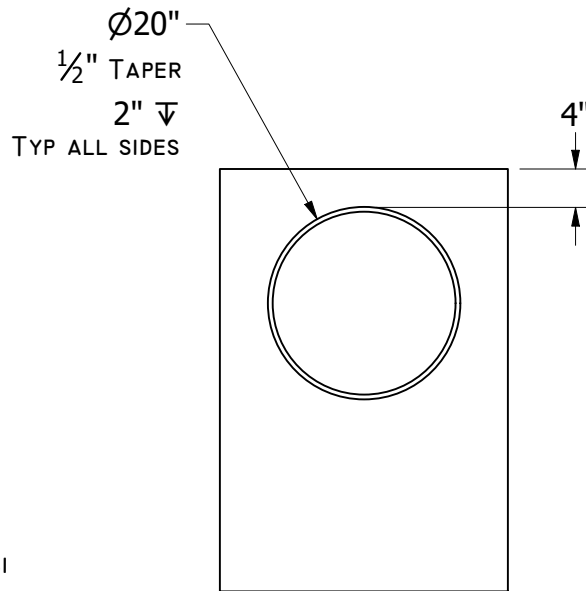


**CB 18 TYPE - 1 BASE  
 ROUNDED BOTTOM**



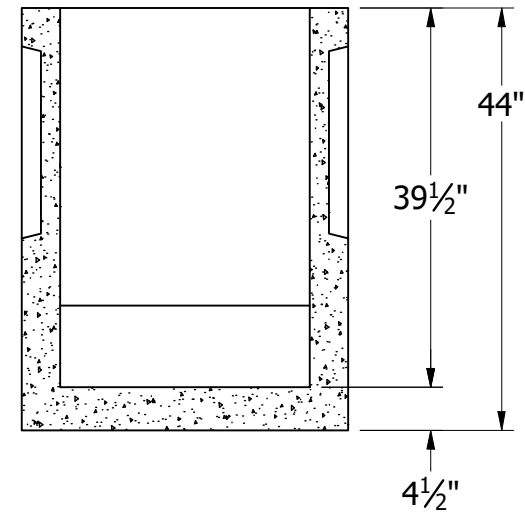
**TOP VIEW**



**LEFT VIEW**

**GENERAL NOTES:**

- TOTAL WEIGHT: 1,900 LBS
- CONFORMS TO WASHINGTON STATE APWA / WSDOT
- ASTM C33 / C150: 28-DAY COMPRESSIVE STRENGTH F'C: 4,000 PSI
- REINFORCING REBAR: 0.12 SQ. IN PER FT.



**FRONT SECTIONAL VIEW**