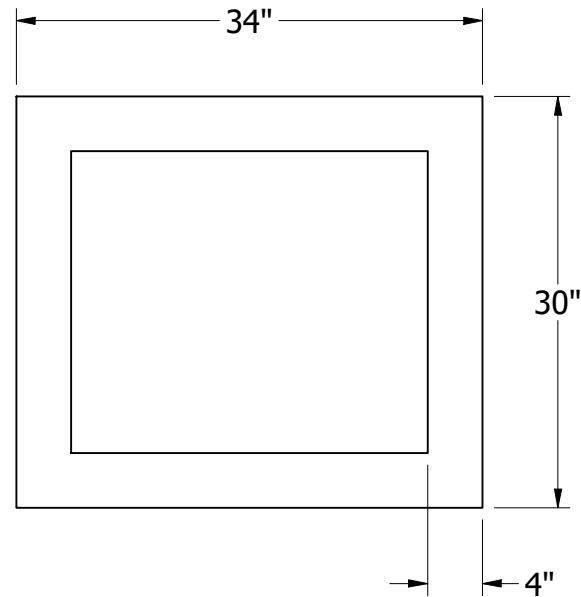
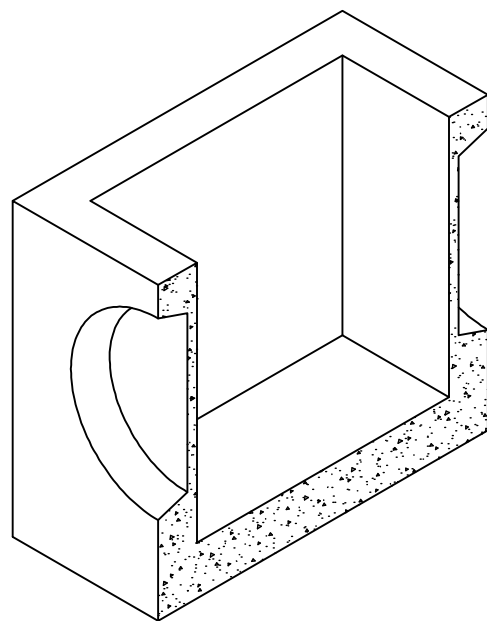
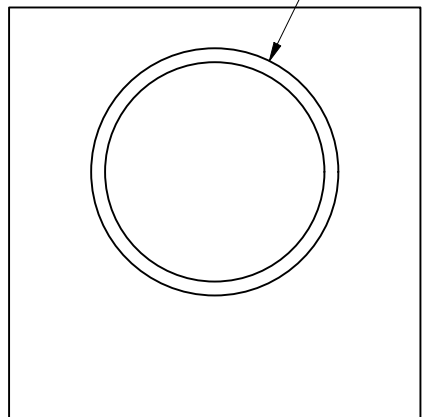


19604 67TH AVE NE ARLINGTON, WA 98223  
 (360) 435-5531 WWW.CUZCONCRETE.COM



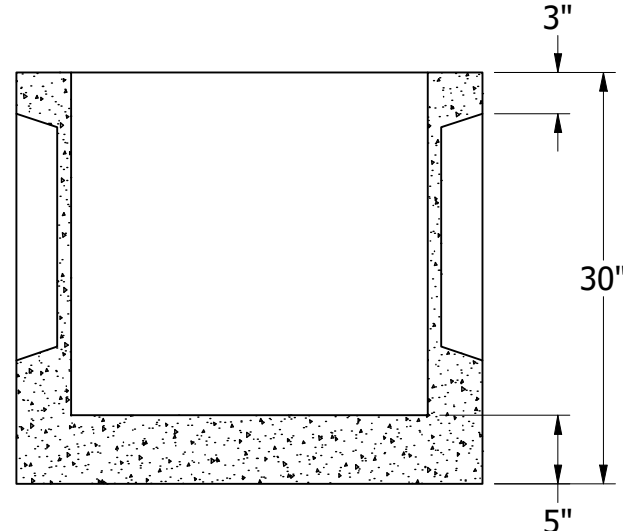
**TOP VIEW**

Ø18"  
 1" TAPER  
 TYP ALL SIDES



**LEFT VIEW**

- GENERAL NOTES:**
- TOTAL WEIGHT: 1,250 LBS
  - CONFORMS TO WASHINGTON STATE APWA / WSDOT
  - ASTM C33 / CI50: 28-DAY COMPRESSIVE STRENGTH F'c: 4000 PSI
  - REINFORCING REBAR: 0.12 sq. IN PER FT.



**FRONT SECTIONAL VIEW**