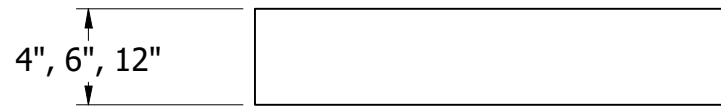
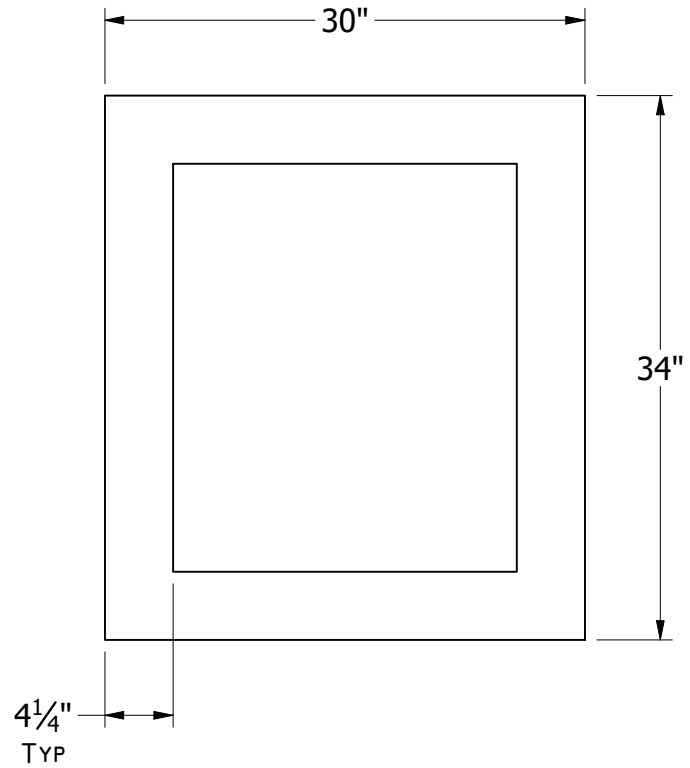


19604 67TH AVE NE ARLINGTON, WA 98223
 (360) 435-5531 WWW.CUZCONCRETE.COM



	Weight (lbs)
4"	170
6"	250
12"	500

GENERAL NOTES:

- CONFORMS TO WASHINGTON STATE APWA / WSDOT
- ASTM C33 / CI50: 28-DAY COMPRESSIVE STRENGTH F'C: 4000 PSI
- REINFORCING REBAR: 0.12 SQ. IN PER FT.