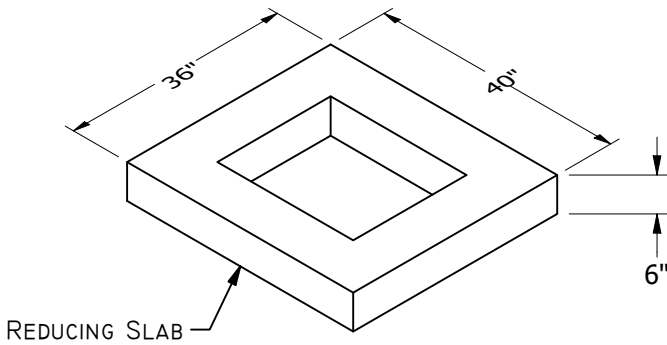


	W	L
Outside Dims.	36	40
Inside Dims.	28	32

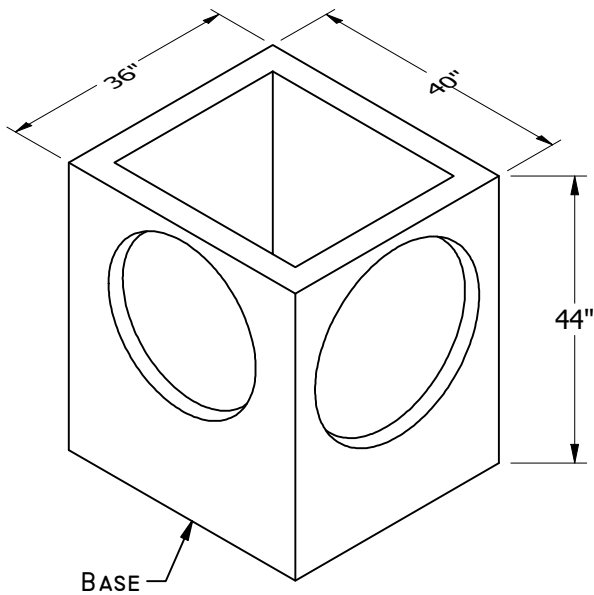
CONFORMS TO:

- WASHINGTON STATE APWA / WSDOT
- ASTM C33 & ASTM C150:
28-DAY COMPRESSIVE STRENGTH
F'C = 4000 PSI



REINFORCING

- 0.12 SQ. IN. PER FOOT
(ALL COMPONENTS)



WEIGHTS

- 4" RISER: 200 LBS
- 6" RISER: 300 LBS
- 12" RISER: 600 LBS
- REDUCING SLAB: 500 LBS
- BASE: 2,300 LBS