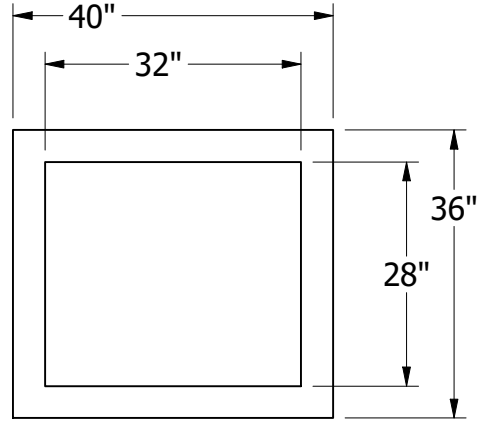
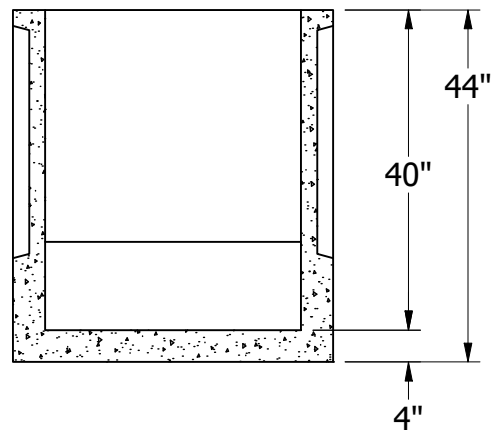
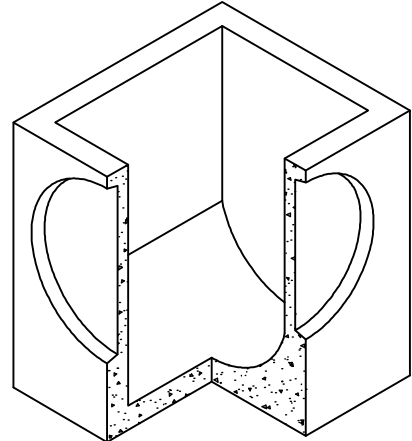


**CB 16 TYPE I-L BASE
 ROUNDED BOTTOM**

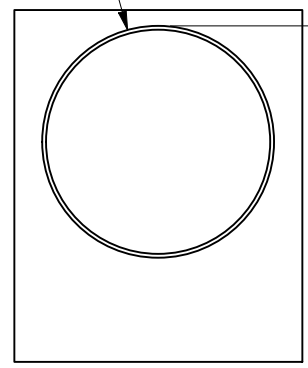


TOP VIEW



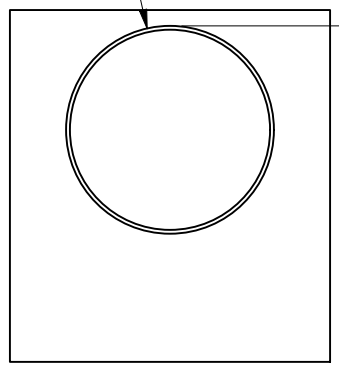
FRONT SECTIONAL VIEW

Ø29"
 1/2" TAPER
 2"▽
 TYP OPPOSITE SIDE



RIGHT VIEW

Ø26"
 1/2" TAPER
 2"▽
 TYP OPPOSITE SIDE



BACK VIEW

- GENERAL NOTES:**
- TOTAL WEIGHT: 2,300 LBS
 - CONFORMS TO WASHINGTON STATE APWA / WSDOT
 - ASTM C33 / CI50: 28-DAY COMPRESSIVE STRENGTH F'c: 4000 PSI
 - REINFORCING REBAR: 0.12 sq. IN PER FT.