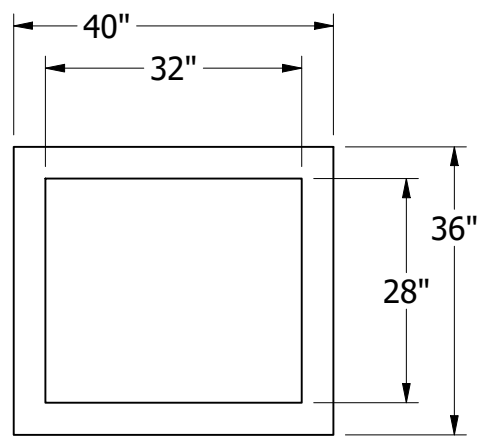
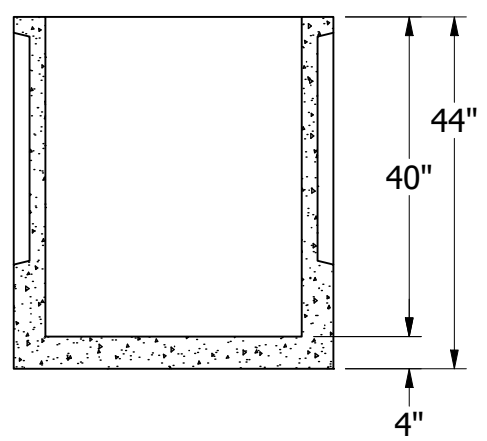
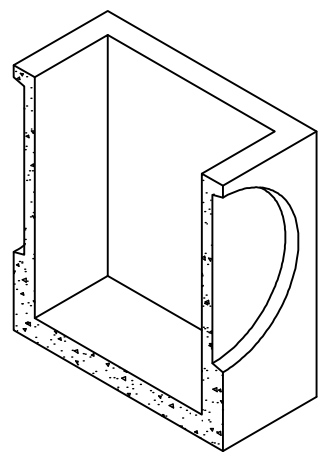


19604 67TH AVE NE ARLINGTON, WA 98223  
(360) 435-5531 WWW.CUZCONCRETE.COM



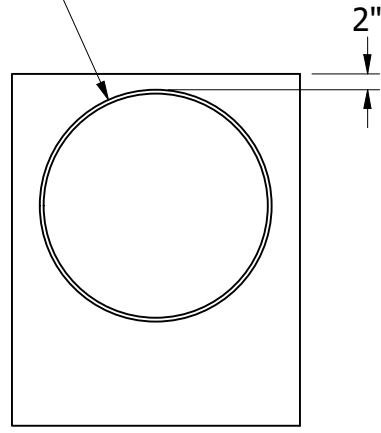
**TOP VIEW**



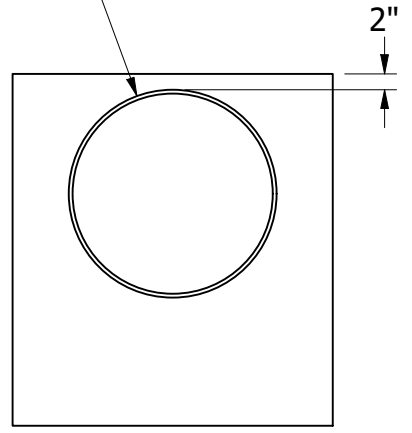
**FRONT SECTIONAL VIEW**

Ø29"  
1/2" TAPER  
2"▽  
TYP OPPOSITE SIDE

Ø26"  
1/2" TAPER  
2"▽  
TYP OPPOSITE SIDE



**RIGHT VIEW**



**BACK VIEW**

- GENERAL NOTES:**
- TOTAL WEIGHT: 2,050 LBS
  - CONFORMS TO WASHINGTON STATE APWA / WSDOT
  - ASTM C33 / CI50: 28-DAY COMPRESSIVE STRENGTH F'C: 4000 PSI
  - REINFORCING REBAR: 0.12 SQ. IN PER FT.