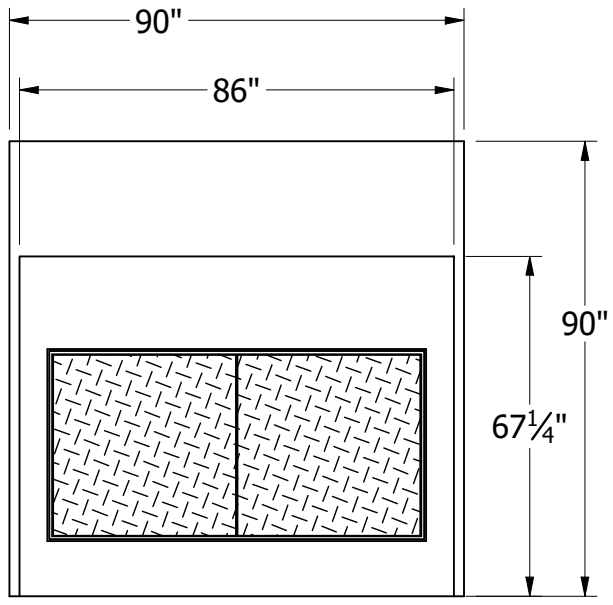
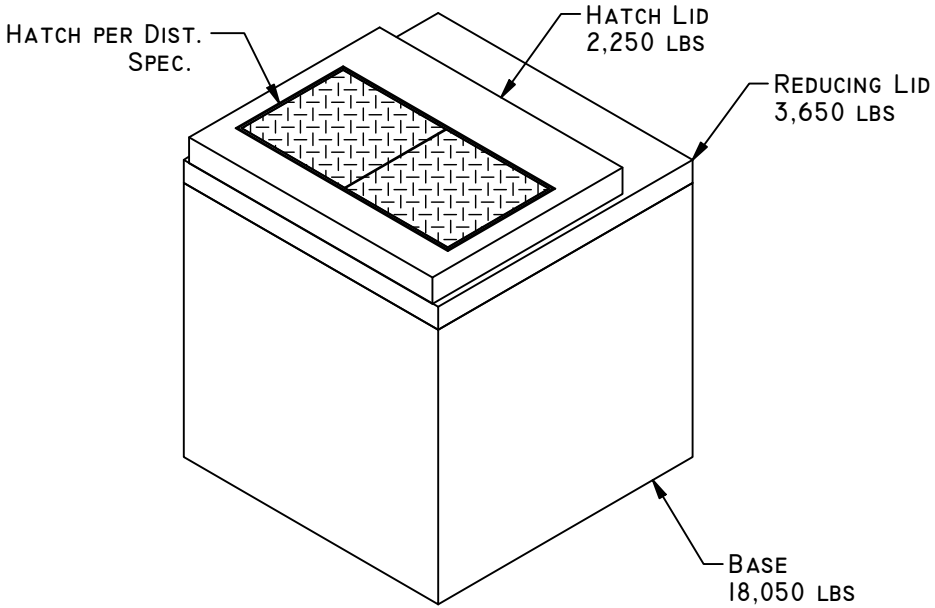


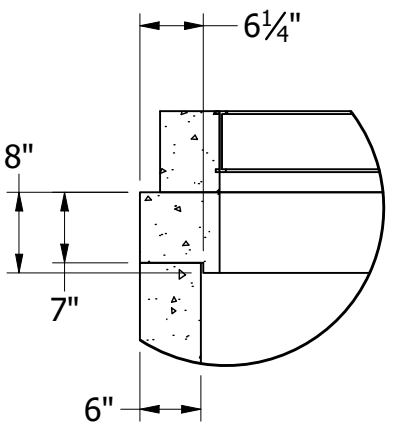
19604 67TH AVE NE ARLINGTON, WA 98223
 (360) 435-5531 WWW.CUZCONCRETE.COM



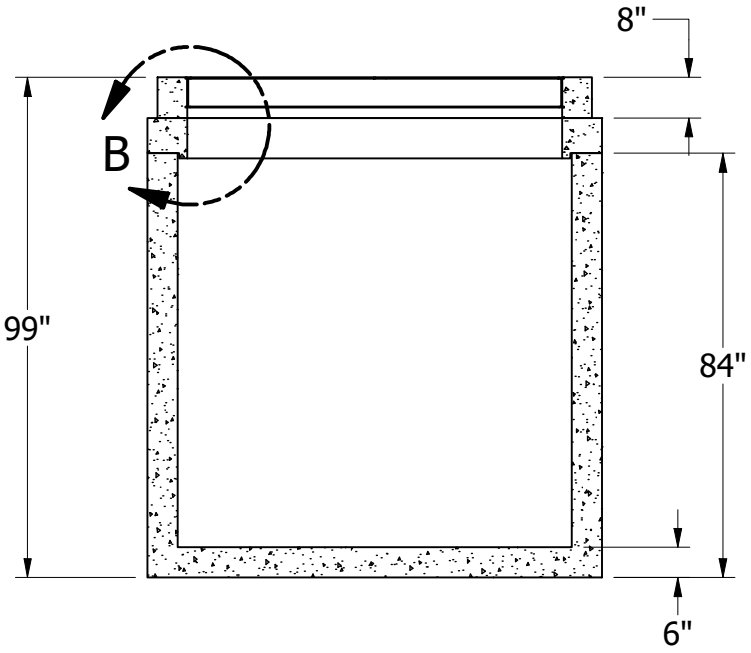
TOP VIEW

GENERAL NOTES:

- TOTAL APPROX WEIGHT: 24,100 LBS
- CONCRETE: 28 DAY COMPRESSIVE STRENGTH $f_c = 4500\text{PSI}$
- REBAR: #4 ASTM A-615 GRADE 60
- MESH: ASTM A-185 GRADE 88
- DESIGN: ASTM C-857 "MINIMUM STRUCTURAL DESIGN LOADING FOR UNDERGROUND PRECAST CONCRETE UTILITY STRUCTURES"
- REINFORCING PLACEMENT: 4"x4"/4 GAUGE THROUGHOUT W/2-#4 BARS ALONG BELL JOINTS
- JOINT MATERIAL: MEETS FEDERAL SPECIFICATIONS SS-S-00210, AASHTO M-198B AND ASTM C990
- HATCHES PER DISTRICT SPECIFICATIONS



DETAIL B
 ALL DIMENSIONS TYP



FRONT SECTIONAL VIEW