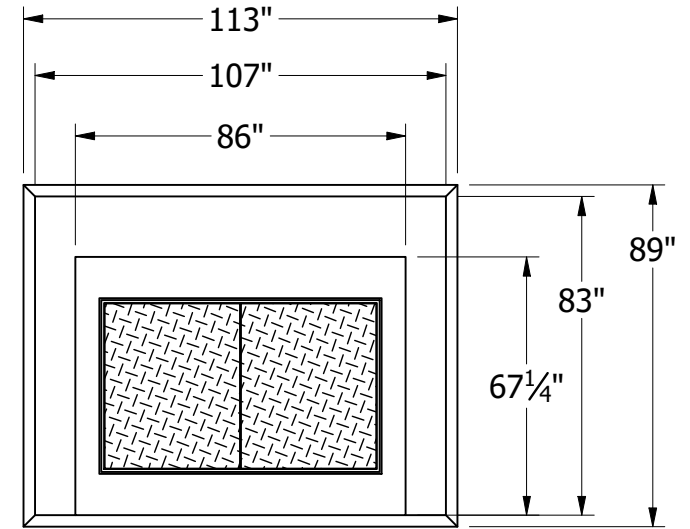
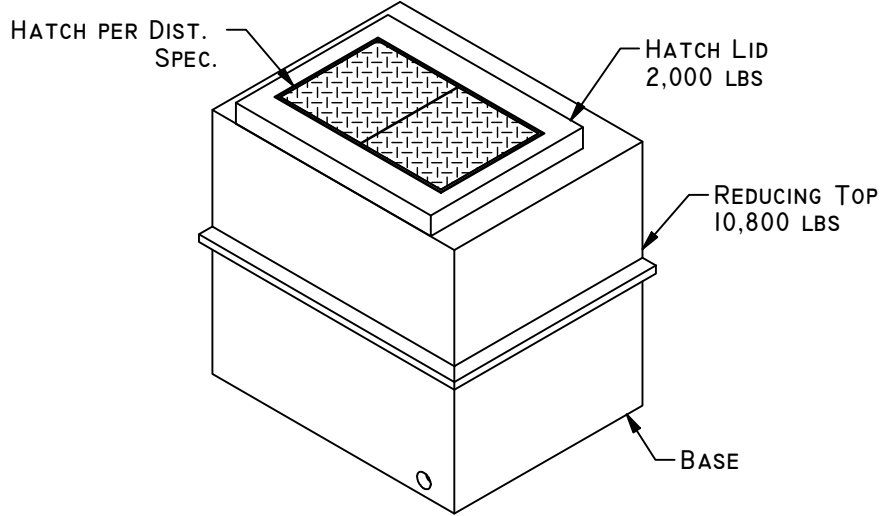


19604 67TH AVE NE ARLINGTON, WA 98223
 (360) 435-5531 WWW.CUZCONCRETE.COM

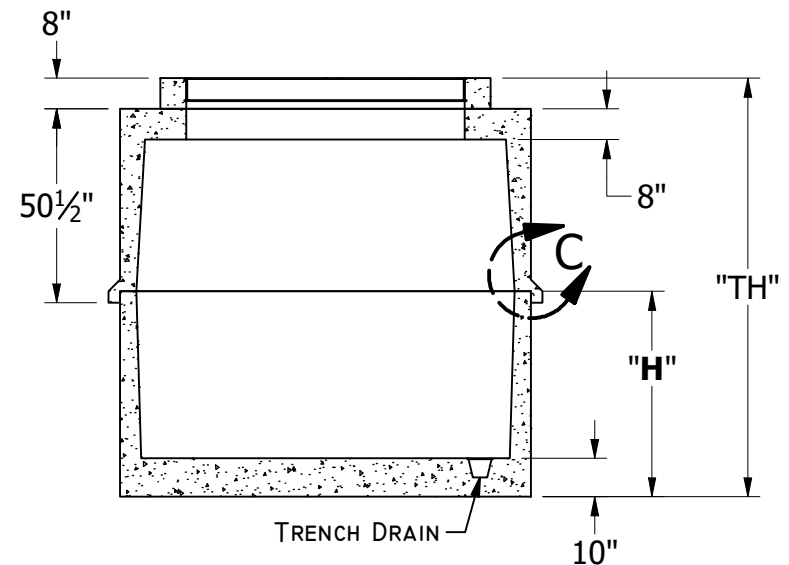
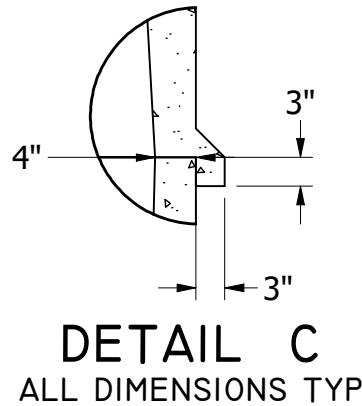


TOP VIEW

	TH	H	Base Weight (lb)	Total Weight (lb)
685	85"	30"	10900	23900
686	97"	42"	12700	25700
687	109"	54"	14400	27400

GENERAL NOTES:

- CONCRETE: 28 DAY COMPRESSIVE STRENGTH $f_c = 4500\text{PSI}$
- REBAR: #4 ASTM A-615 GRADE 60
- MESH: ASTM A-185 GRADE 88
- DESIGN: ASTM C-857 "MINIMUM STRUCTURAL DESIGN LOADING FOR UNDERGROUND PRECAST CONCRETE UTILITY STRUCTURES"
- REINFORCING PLACEMENT: 4"X4" / 4 GAUGE THROUGHOUT W/2-#4 BARS ALONG BELL JOINTS
- JOINT MATERIAL: MEETS FEDERAL SPECIFICATIONS SS-S-00210, AASHTO M-198B AND ASTM C990
- HATCHES PER DISTRICT SPECIFICATIONS



FRONT SECTIONAL VIEW