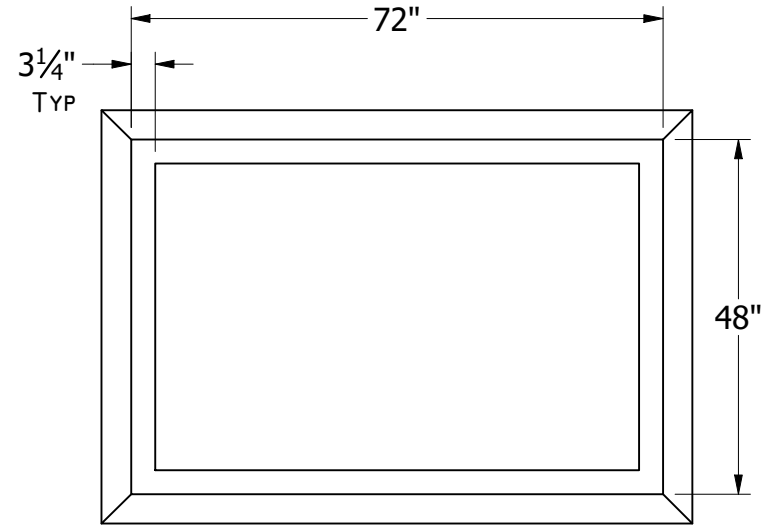


DETAIL B
 DIMENSIONS TYP

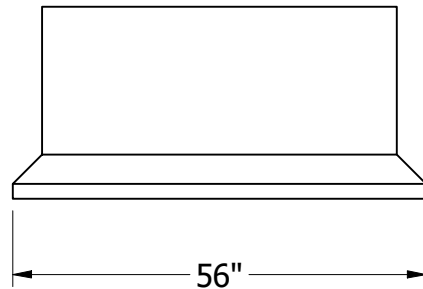


TOP VIEW

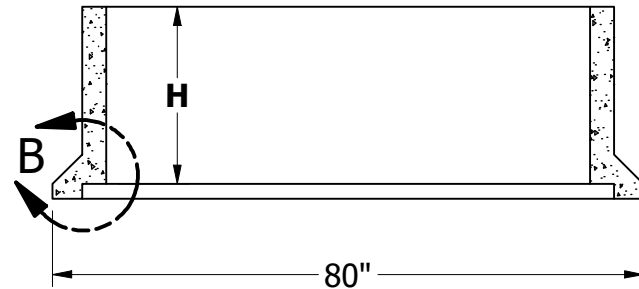
H	Weight (lb)
12	1200
18	1550
24	1950

GENERAL NOTES:

- CONCRETE 28 DAY COMPRESSIVE STRENGTH f_c : 4000PSI
- REBAR #4 ASTM A-615 GRADE 60
- DL: 36IN EARTH COVER
- LL: 25 SNOW
- SOILS: 2000PSI
- WATER PRESSURE: 62.4PSF
- JOINT MATERIAL MEETS FEDERAL SPECS. SS-S-002I



LEFT VIEW



FRONT SECTIONAL VIEW