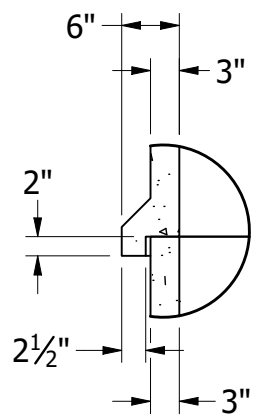
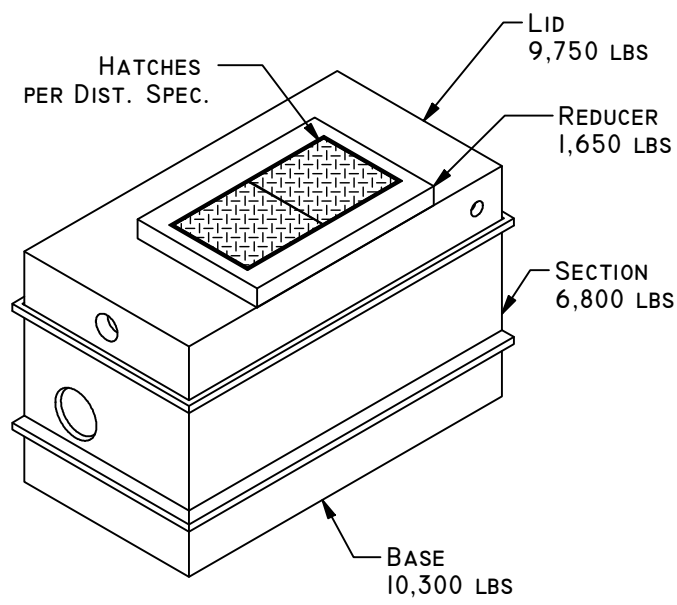
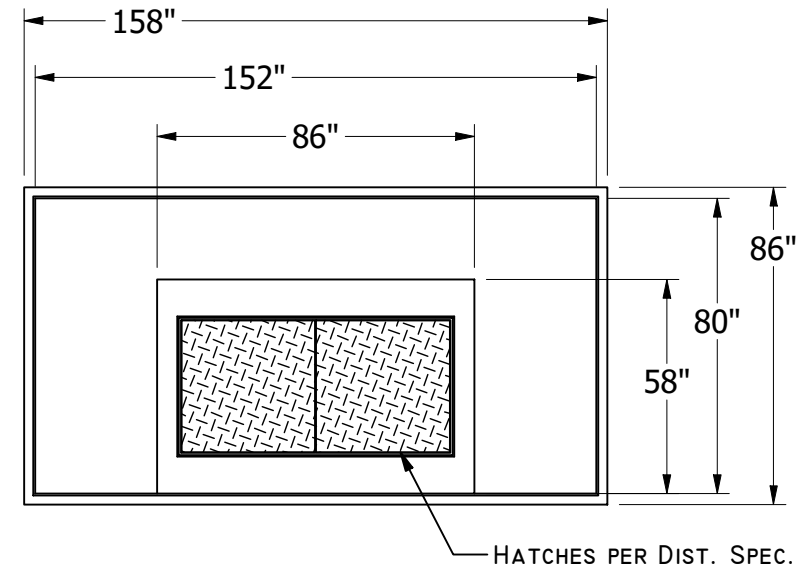


19604 67TH AVE NE ARLINGTON, WA 98223
 (360) 435-5531 WWW.CUZCONCRETE.COM



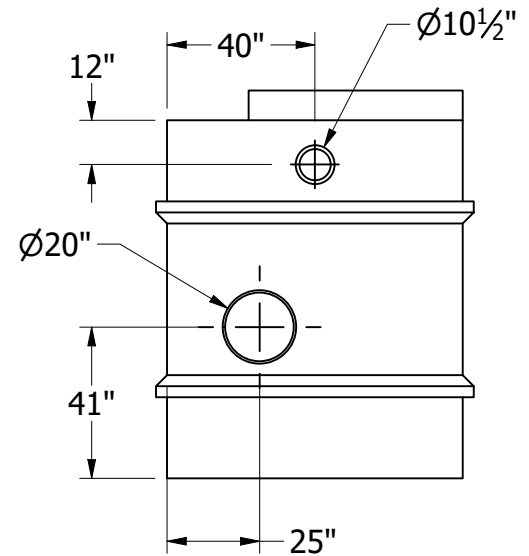
JOINT DETAIL
 DIMENSIONS TYP
 DETAIL B



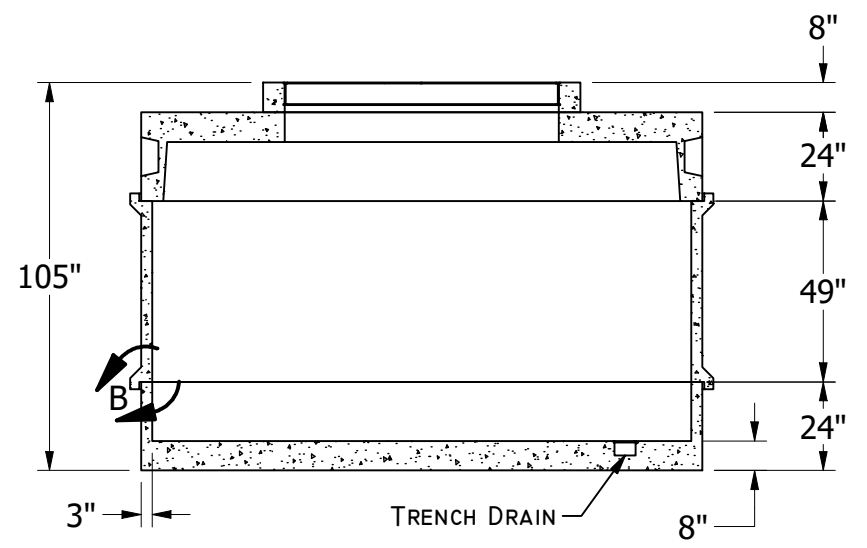
TOP VIEW

GENERAL NOTES:

- APPROX. WEIGHT: 28,800 LBS
- CONCRETE: 28 DAY COMPRESSIVE STRENGTH $f_c = 4500\text{psi}$
- REBAR: #4 ASTM A-615 GRADE 60
- MESH: ASTM A-185 GRADE 88
- DESIGN: ASTM C-857 MINIMUM STRUCTURAL DESIGN LOADING FOR UNDERGROUND PRECAST CONCRETE UTILITY STRUCTURES
- LOADS: H-20 TRUCK WHEEL WITH 30% IMPACT PER AASHTO
- REINFORCING PLACEMENT: #4 REBAR 12 O.C. THROUGHOUT BASE AND TOP SECTIONS, 4 X 4 1/4 GAUGE MESH WITH 2-#4 REBAR RUNNING HORIZONTALLY THROUGH BELL JOINTS IN MID-SECTION.
- JOINT MATERIAL: MEETS FEDERAL SPECIFICATIONS SS-S-00210, AASHTO M-198B AND ASTM C990
- HATCHES: PER DISTRICT SPECIFICATIONS



LEFT VIEW
 FEATURES SAME ON RIGHT SIDE
 DIMENSIONS TYP



FRONT SECTIONAL VIEW