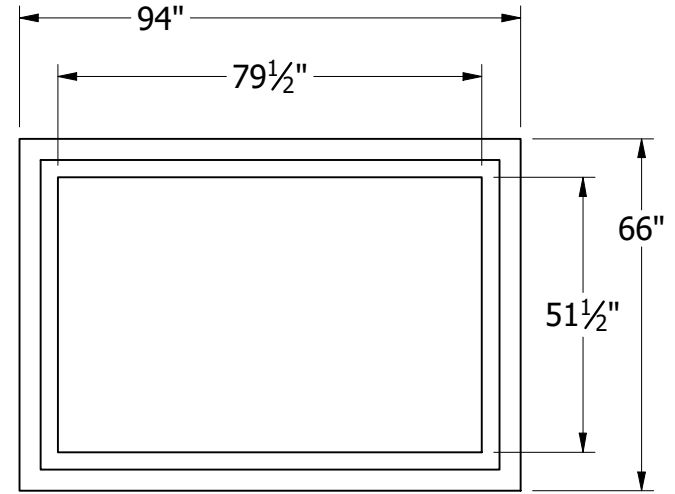
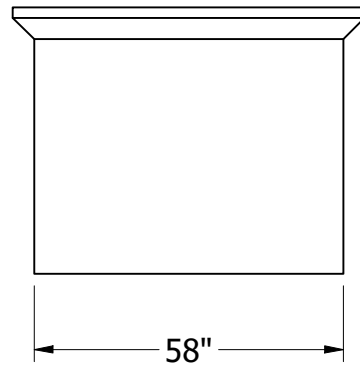


**DETAIL B
 DIMENSIONS TYP**

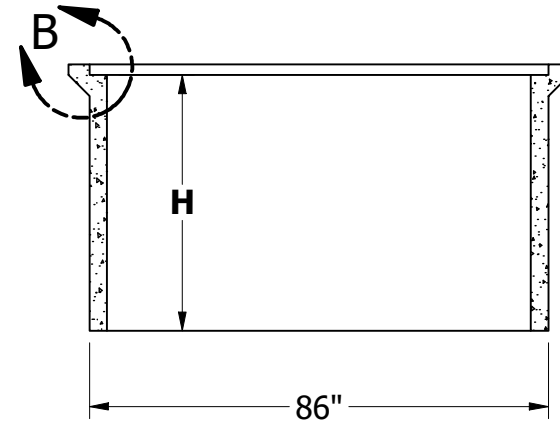


TOP VIEW

H	Weight (lb)
6"	900
12"	1400
24"	2350
36"	3250
48"	4200



LEFT VIEW



**FRONT SECTIONAL
 VIEW**

GENERAL NOTES:

- CONCRETE 28 DAY COMPRESSIVE STRENGTH FC: 4000PSI
- REBAR #4 ASTM A-615 GRADE 60
- DL: 36in EARTH COVER
- LL: 25 SNOW
- SOILS: 2000Psi
- WATER PRESSURE: 62.4PSF
- JOINT MATERIAL MEETS FEDERAL SPECS. SS-S-002I