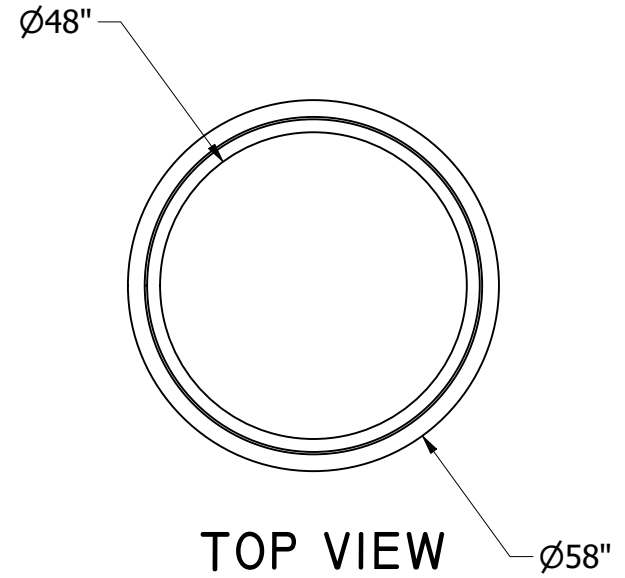
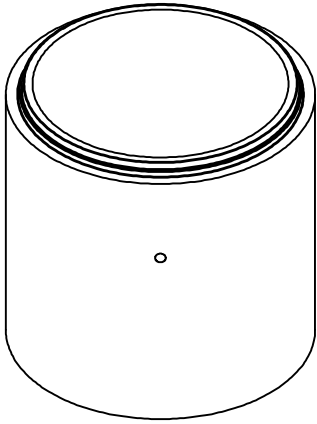


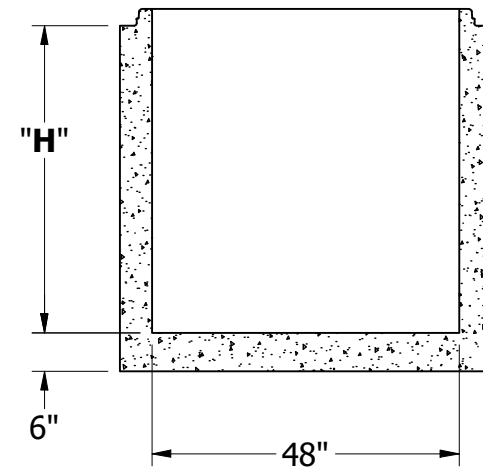
19604 67TH AVE NE ARLINGTON, WA 98223
 (360) 435-5531 WWW.CUZCONCRETE.COM



| H | Weight (lb) |
|----|-------------|
| 2' | 3300 |
| 3' | 4150 |
| 4' | 5100 |
| 5' | 5900 |

GENERAL NOTES:

- AREA OF STEEL: .12 SQ.IN²
- CONCRETE 28 DAY COMPRESSIVE STRENGTH F_C: 4000PSI
- REBAR #4 ASTM A-615 GRADE 60
- DL: 36IN EARTH COVER
- LL: 25 SNOW
- SOILS: 2000PSI
- WATER PRESSURE: 62.4PSF
- FLEXIBLE PIPE ADAPTER PRESS SEAL 4IN CAST-A-STEEL
- JOINT MATERIAL MEETS FEDERAL SPECS. SS-S-002I



FRONT SECTIONAL VIEW