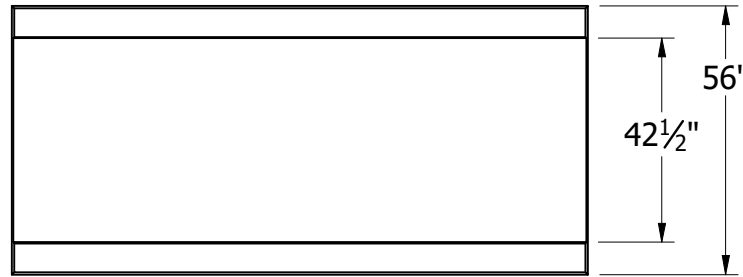
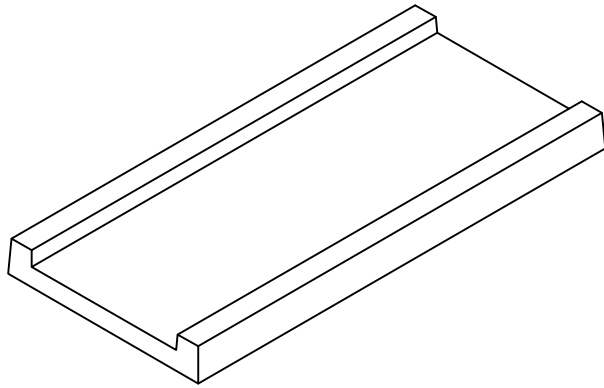
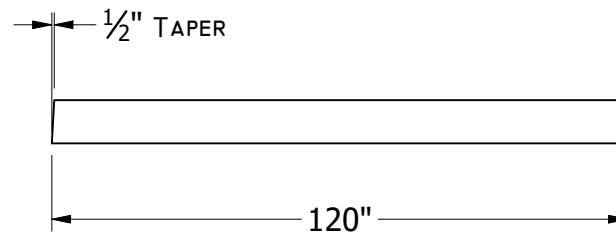


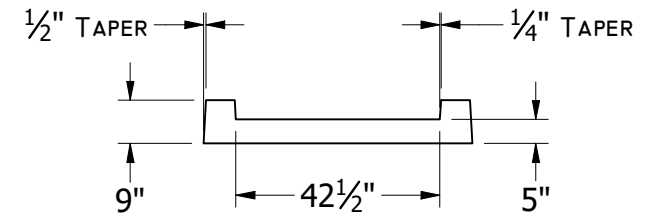
19604 67TH AVE NE ARLINGTON, WA 98223
 (360) 435-5531 WWW.CUZCONCRETE.COM



TOP VIEW



FRONT VIEW



RIGHT VIEW

GENERAL NOTES:

- APPROX. TOTAL WEIGHT: 3,500 LBS
- REINFORCMENT: #4 BAR AROUND PERIMETER; 6X6X2.9 WELDED WIRE FABRIC 2 1/2" COVER FROM BOTTOM