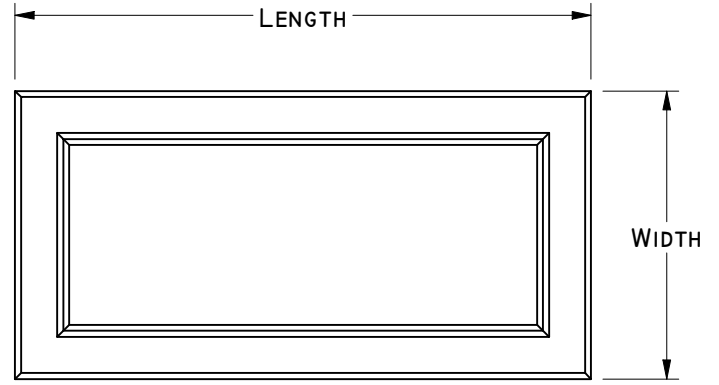
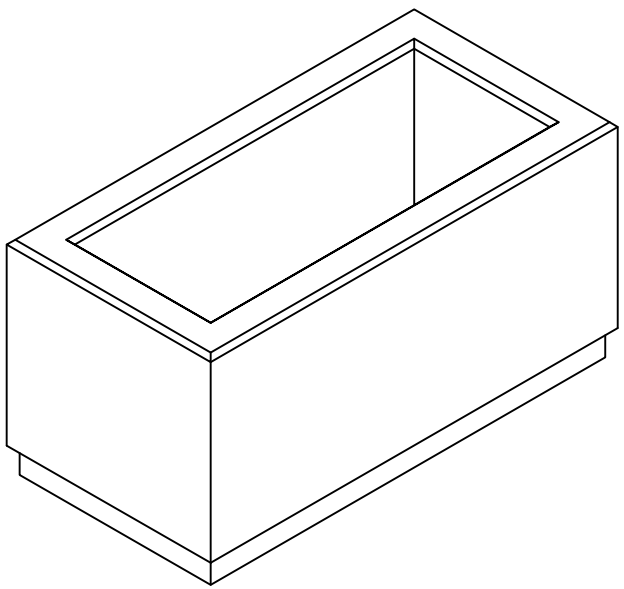
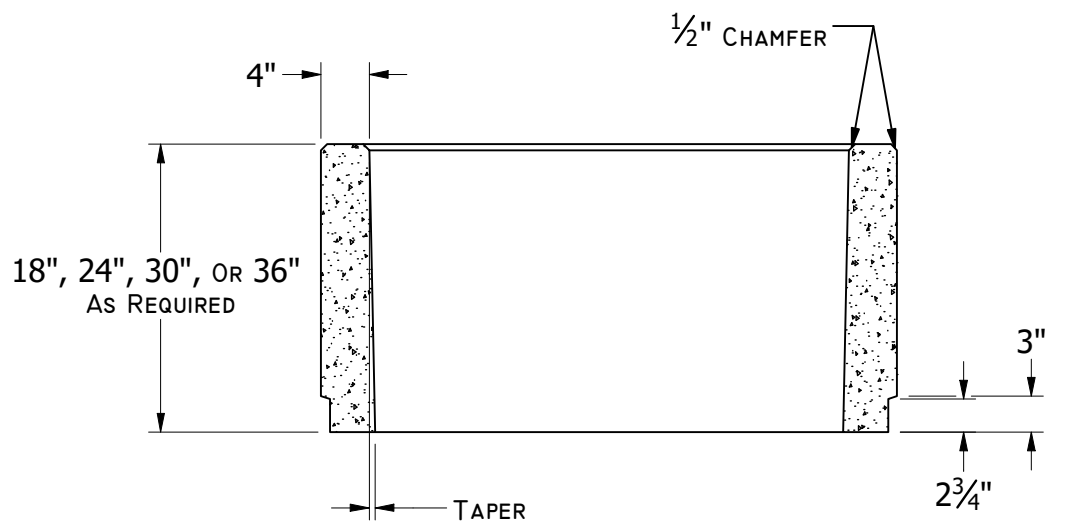


19604 67TH AVE NE ARLINGTON, WA 98223
 (360) 435-5531 WWW.CUZCONCRETE.COM



TOP VIEW

	Length (ft)	Width (ft)	Taper (in)	Weight (lb/ft)
42	4	2	0.5	600
44	4	4	0.5	800
64	6	4	0.75	1000
66	6	6	0.75	1200



FRONT SECTIONAL VIEW

GENERAL NOTES:

- REINFORCEMENT: 4" x 4" MESH w4/w4 GAUGE THROUGHOUT
- 5/8" THREADED INSERT FOR HANDLING INSIDE WALLS (4 PLACES)
- SURFACE: SMOOTH FINISH
- CONCRETE: 28 DAY COMPRESSIVE STRENGTH f_c : 3000 PSI