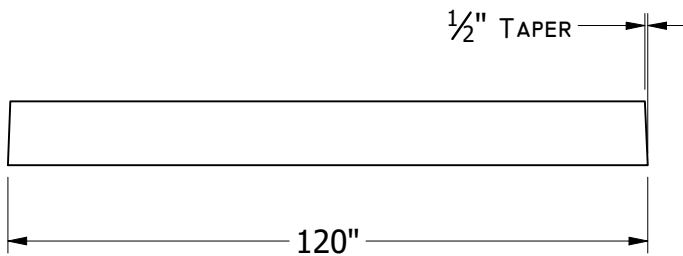
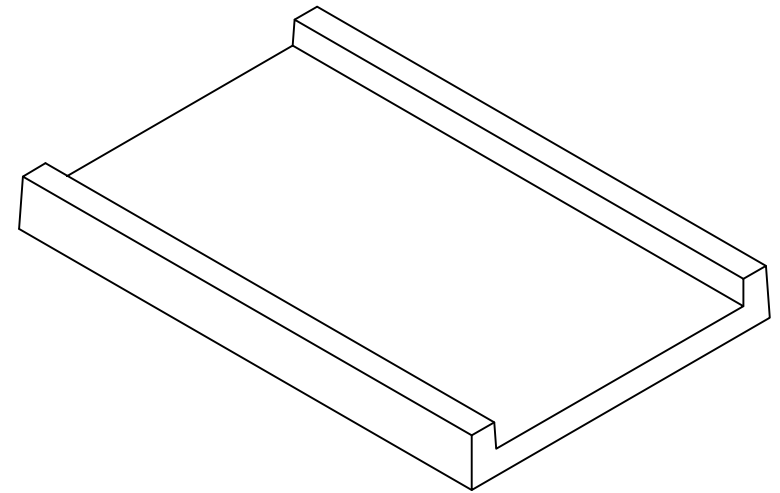
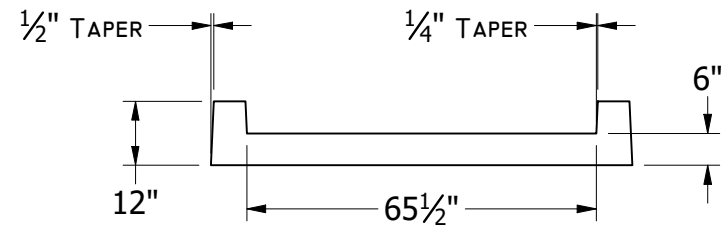


TOP VIEW



FRONT VIEW



RIGHT VIEW

GENERAL NOTES:

- APPROX. TOTAL WEIGHT: 5,750 LBS
- REINFORCEMENT: #4 BAR AROUND PERIMETER; 6X6X2.9 WELDED WIRE FABRIC 2 1/2" COVER FROM BOTTOM