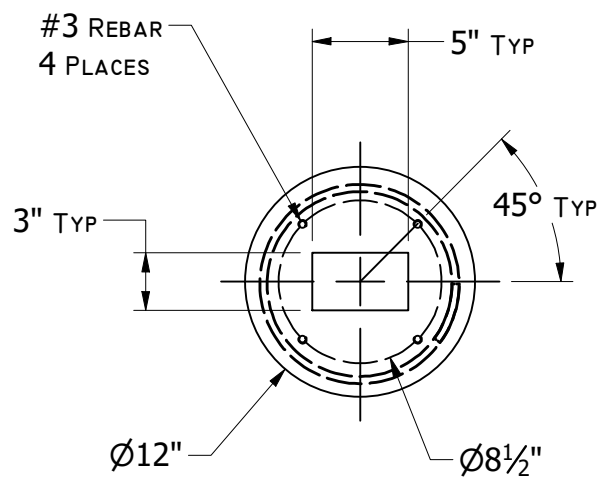
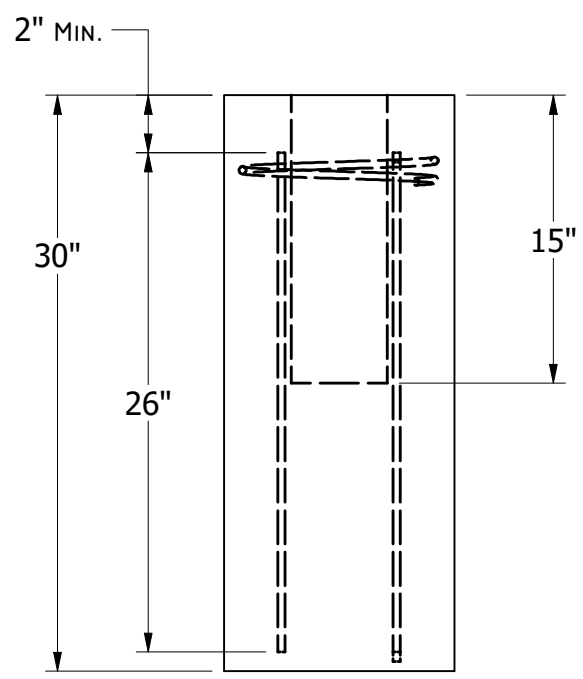


19604 67TH AVE NE ARLINGTON, WA 98223  
(360) 435-5531 WWW.CUZCONCRETE.COM



**TOP VIEW**



**FRONT VIEW**

GENERAL NOTES:

- APPROX. TOTAL WEIGHT: 300 LBS
- REINFORCMENT PLACEMENT: #3 REBAR A615 GR.60 (VERTICALL); #3 REBAR A500 GR.B (COIL)