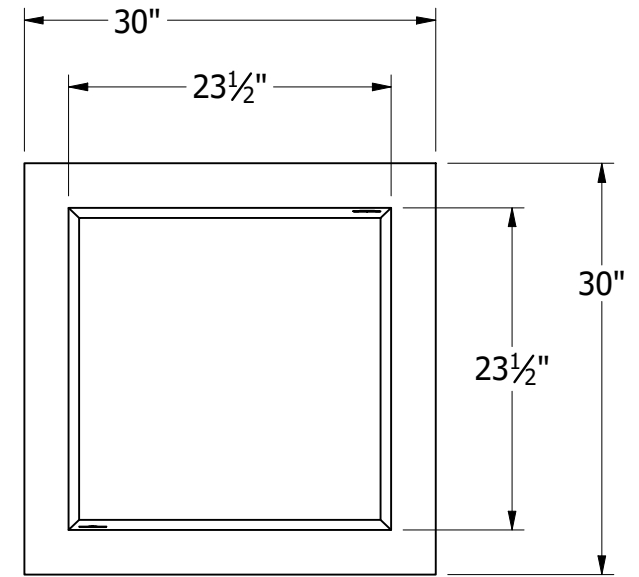
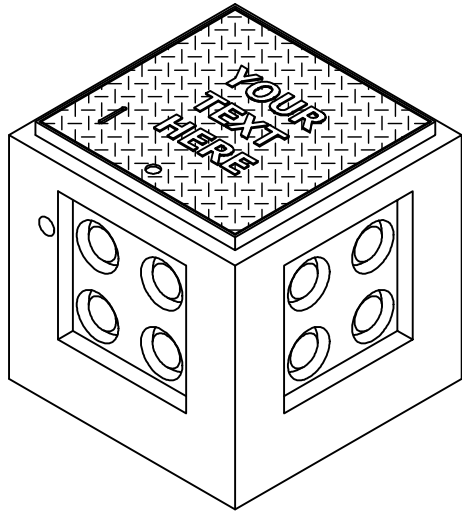


19604 67TH AVE NE ARLINGTON, WA 98223  
 (360) 435-5531 WWW.CUZCONCRETE.COM

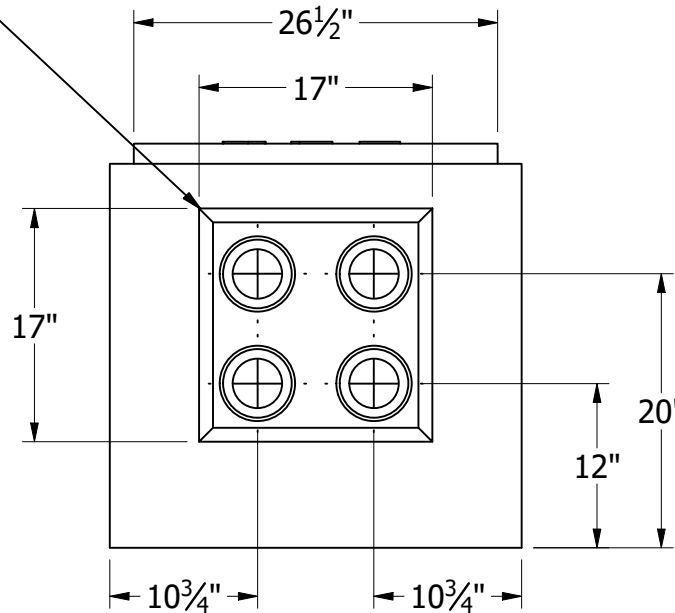


**TOP VIEW**  
 LID OMITTED FOR VISIBILITY

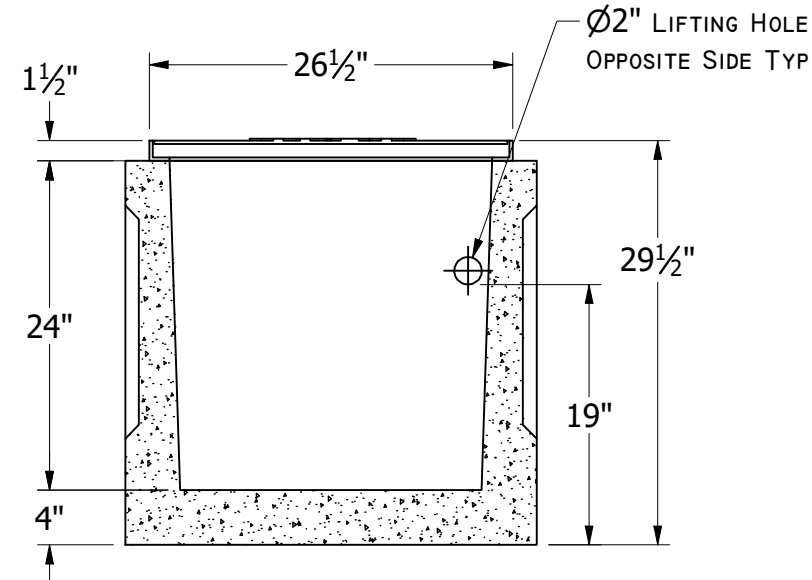
**GENERAL NOTES:**

- APPROX. WEIGHT: 550 LBS
- CONCRETE: 28 DAY COMPRESSIVE STRENGTH  $f_c = 4000\text{psi}$  PER ASTM C-33 AND C-150
- REBAR: #4 ASTM A-615 & ASTM-I23 GRADE 60
- MESH: ASTM A-185 GRADE 88
- DESIGN: ASTM C-857 MINIMUM STRUCTURAL DESIGN LOADING FOR UNDERGROUND PRECAST CONCRETE UTILITY STRUCTURES
- LOADS: SUITABLE FOR H-20 WHEEL LOADING IN OFF STREET LOCATIONS WHERE NOT SUBJECT TO HIGH DENSITY TRAFFIC
- REINFORCING PLACEMENT: 4 X 4 / 4 GAUGE THROUGHOUT BASE, #4 BAR IN CORNERS AND EDGES, 3 - #4 BAR EACH WAY ON LIDS
- JOINT MATERIAL: MEETS FEDERAL SPECIFICATIONS SS-S-00210, AASHTO M-198B AND ASTM C990
- HATCHES: PER DISTRICT SPECIFICATIONS

KNOCKOUT PANEL  
 TYP EACH SIDE



**LEFT VIEW**



**FRONT SECTIONAL VIEW**