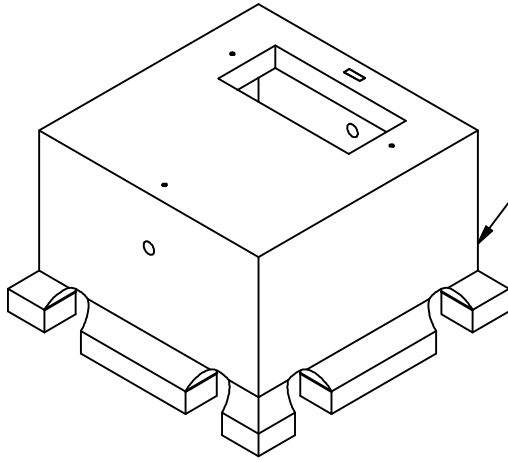


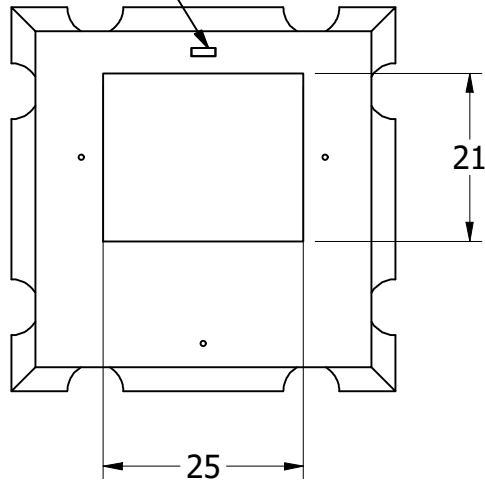
19604 67TH AVE NE ARLINGTON, WA 98223  
 (360) 435-5531 WWW.CUZCONCRETE.COM



**2511**

DIST. CAT. ID 766214  
 WEIGHT: 1,800 LBS

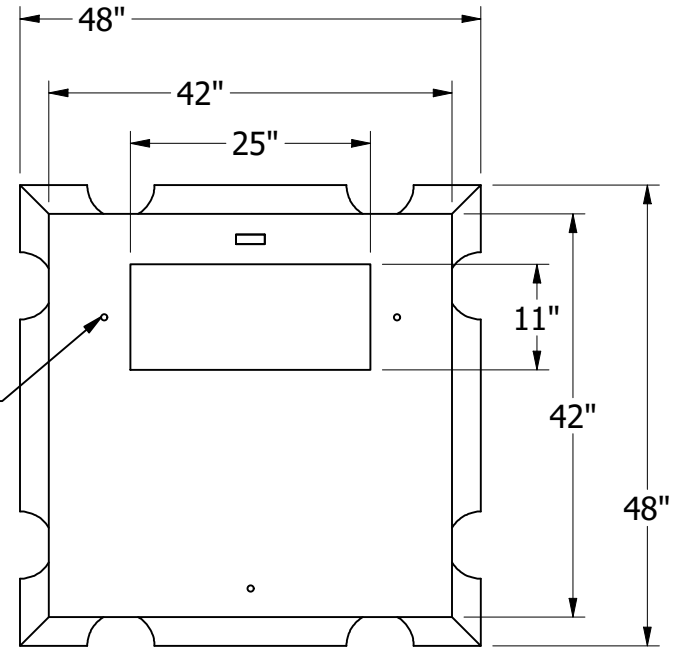
1" X 3" Brass Plate



**2521**

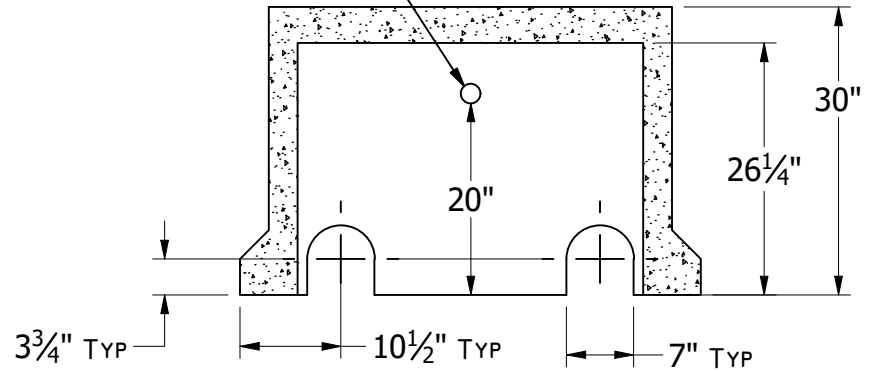
DIST. CAT. ID 766206  
 WEIGHT: 1,650 LBS

5/8" LIFTING INSERTS  
 TYP



**TOP VIEW**

2" LIFTING HOLES



**FRONT SECTIONAL VIEW**

GENERAL NOTES:

- CONCRETE: 28 DAY COMPRESSIVE STRENGTH FC: 4500PSI
- REBAR: #4 ASTM A-615 GRADE 60
- MESH: ASTM A-185 GRADE 88
- REINFORCING PLACEMENT: 4X4 - 4GUAGE THROUGHOUT BASE AND #4 BARS IN CORNERS