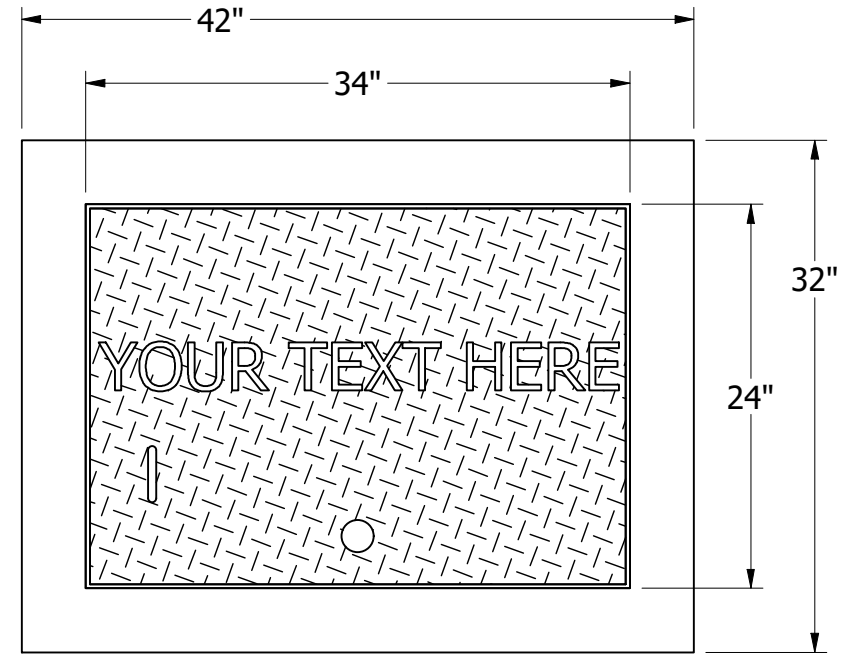
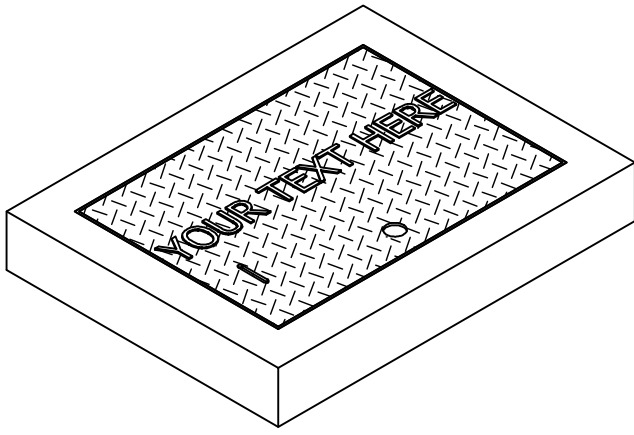


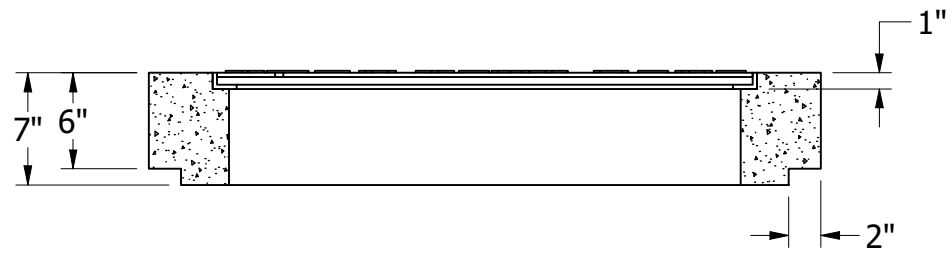
19604 67TH AVE NE ARLINGTON, WA 98223
 (360) 435-5531 WWW.CUZCONCRETE.COM



TOP VIEW

GENERAL NOTES:

- TOTAL WEIGHT: 450 Lbs
- CONCRETE: 28 DAY COMPRESSIVE STRENGTH Fc: 4500psi
- REBAR: #4 ASTM A-615 GRADE 60
- MESH: ASTM A-185 GRADE 88
- DESIGN: ASTM C-857 MINIMUM STRUCTURAL DESIGN LOADING FOR UNDERGROUND PRECAST CONCRETE UTILITY STRUCTURES
- HATCHES PER DISTRICT SPECIFICATIONS
- LOADS: SUITABLE FOR H-20 WHEEL LOADS IN OFF STREET LOCATIONS WHERE NOT SUBJECT TO HIGH DENSITY TRAFFIC
- REINFORCING PLACEMENT: 4x4 - 4GUAGE THROUGHOUT WITH 2 - #4 IN CORNERS AND EDGES, 3 - #4 BAR EACH WAY IN LIDS
- JOINT MATERIAL: MEETS FEDERAL SPECIFICATIONS SS-S-00210, AASHTO M-1988 AND ASTM C990



FRONT SECTIONAL VIEW