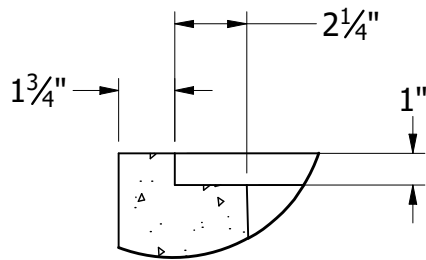
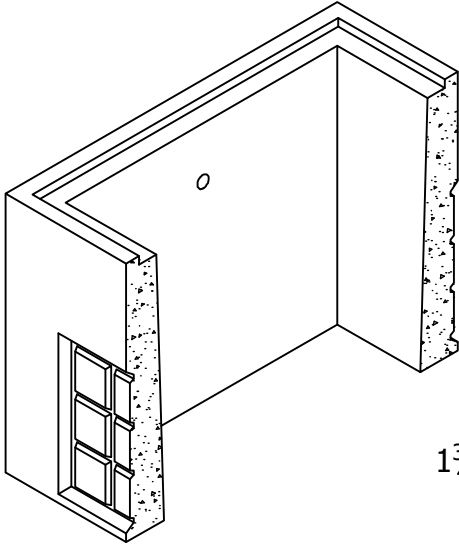
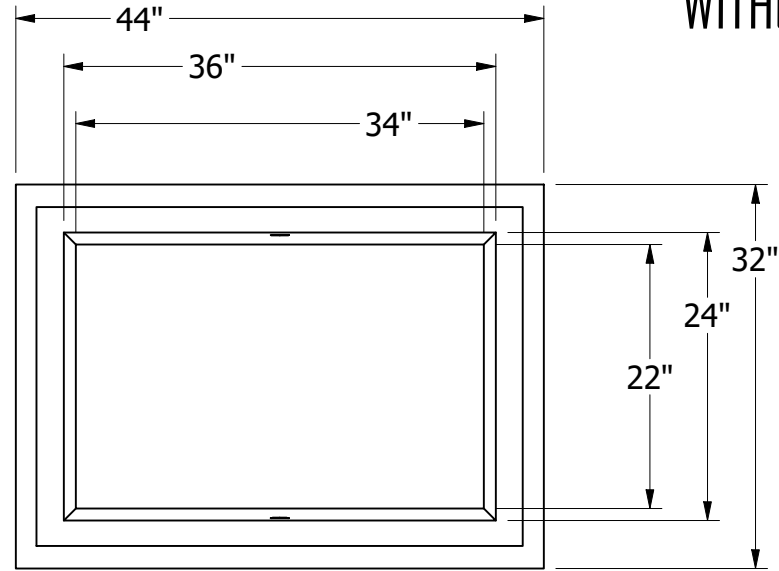


**233 EV BASE
 WITHOUT BOTTOM**



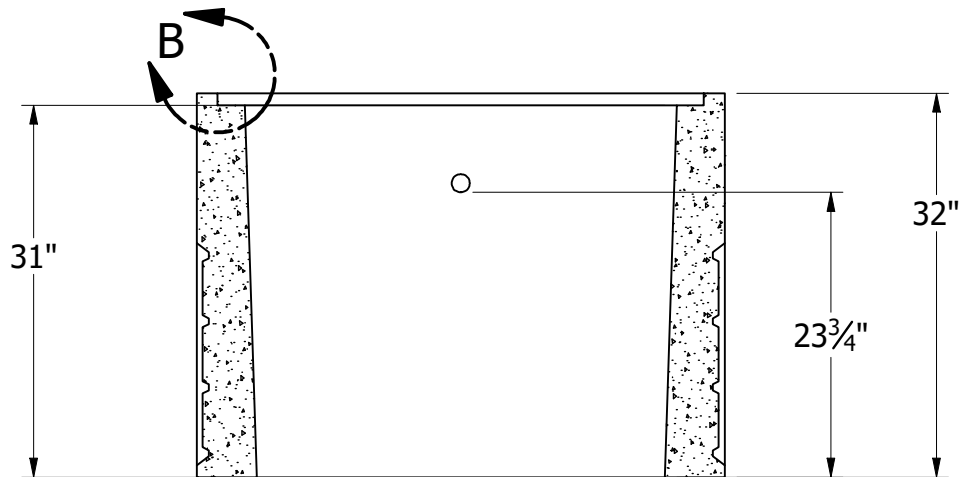
DETAIL B
 DIMENSIONS TYP



TOP VIEW

GENERAL NOTES:

- TOTAL WEIGHT: 1,650 LBS
- CONCRETE: 28 DAY COMPRESSIVE STRENGTH
 FC: 4500PSI
- REBAR: #4 ASTM A-615 GRADE 60
- MESH: ASTM A-185 GRADE 88
- DESIGN: ASTM C-857 MINIMUM STRUCTURAL
 DESIGN LOADING FOR UNDERGROUND PRECAST
 CONCRETE UTILITY STRUCTURES
- HATCHES PER DISTRICT SPECIFICATIONS
- LOADS: SUITABLE FOR H-20 WHEEL LOADS IN
 OFF STREET LOCATIONS WHERE NOT SUBJECT
 TO HIGH DENSITY TRAFFIC
- REINFORCING PLACEMENT: 4X4 - 4GAUGE
 THROUGHOUT WITH 2 - #4 IN CORNERS AND
 EDGES, 3 - #4 BAR EACH WAY IN LIDS
- JOINT MATERIAL: MEETS FEDERAL
 SPECIFICATIONS SS-S-00210, AASHTO M-1988
 AND ASTM C990



FRONT SECTIONAL VIEW