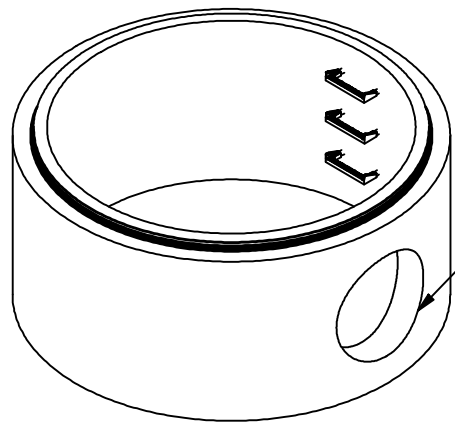


19604 67TH AVE NE ARLINGTON, WA 98223  
 (360) 435-5531 WWW.CUZCONCRETE.COM

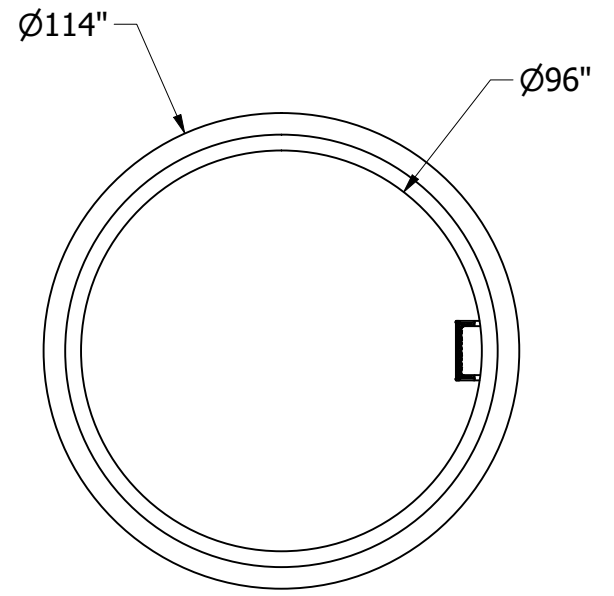


CORED HOLES AS NEEDED  
 MAX. Ø84"  
 12" MIN. DISTANCE BETWEEN HOLES

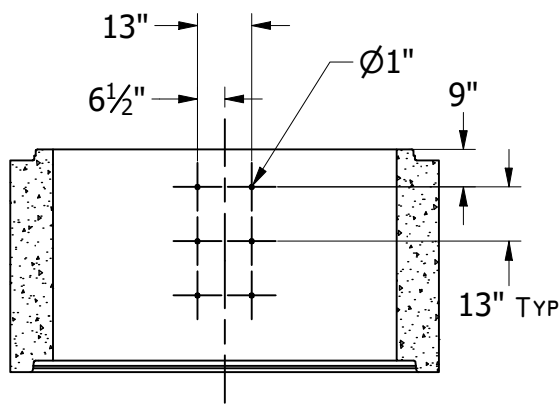
H	Weight (lb)
1'	3850
2'	6950
3'	10050
4'	13150
5'	16250
6'	19350

**GENERAL NOTES:**

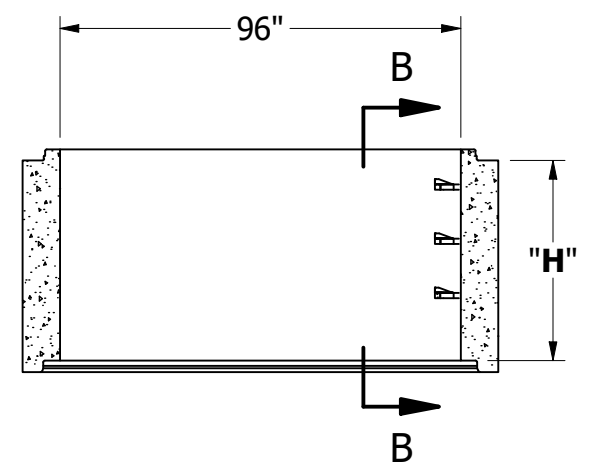
- CONCRETE 28 DAY COMPRESSIVE STRENGTH FC: 4000PSI
- AREA OF STEEL: .24 IN<sup>2</sup>
- REBAR #4 ASTM A-615 GRADE 60
- DL: 36IN EARTH COVER
- LL: 25 SNOW
- SOILS: 2000PSI
- WATER PRESSURE: 62.4PSF
- FLEXIBLE PIPE ADAPTER PRESS SEAL 4IN CAST-A-STEEL
- JOINT MATERIAL MEETS FEDERAL SPECS. SS-S-0021



TOP VIEW



LADDER VIEW  
 STEPS OMITTED FOR VISIBILITY  
 DIMENSIONS TYP  
 SECTION B-B



FRONT SECTIONAL VIEW