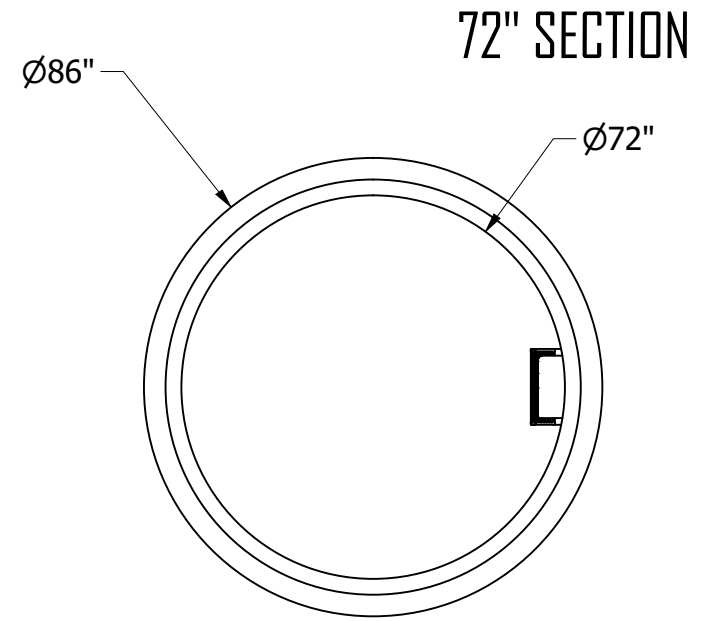


CORED HOLES AS NEEDED  
 MAX. Ø60"  
 12" MIN. DISTANCE BETWEEN HOLES

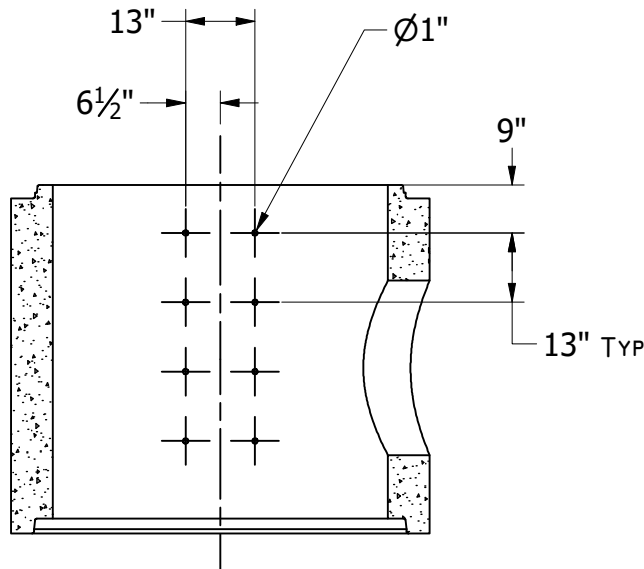


TOP VIEW

H	Weight (lb)
1'	2250
2'	4100
3'	5900
4'	7700
5'	9550
6'	11350

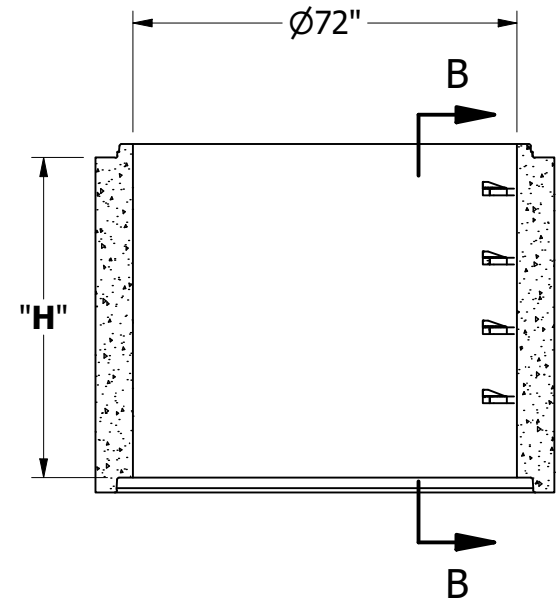
**GENERAL NOTES:**

- CONCRETE 28 DAY COMPRESSIVE STRENGTH FC: 4000PSI
- AREA OF STEEL: .18 IN<sup>2</sup>
- REBAR #4 ASTM A-615 GRADE 60
- DL: 36IN EARTH COVER
- LL: 25 SNOW
- SOILS: 2000PSI
- WATER PRESSURE: 62.4PSF
- FLEXIBLE PIPE ADAPTER PRESS SEAL 4IN CAST-A-STEEL
- JOINT MATERIAL MEETS FEDERAL SPECS. SS-S-0021



LADDER VIEW

STEPS OMITTED FOR VISIBILITY  
 DIMENSIONS TYP  
 SECTION A-A



FRONT SECTIONAL VIEW